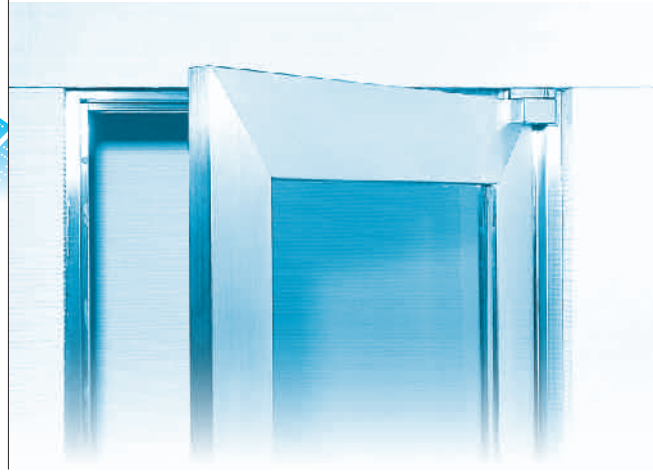




The Concealed 600 Series is now on sale, the combination of Nitto Kohki's original closer technology, together with the new Concealed 600 series.



The Concealed 600 series takes full advantage of Nitto Kohki's original closer technology and incorporates the latest mechanism, equipped with most recent mechanism.

The closing speed is controlled by a two-valve (two-step adjustment) system. You are free to set a new speed between the first speed section and the second speed section.

● **The closing speed is controlled by the two-valve system.**

Two speed adjustment valves (two valves) are used to set a closing speed for the first and the second speed section freely according to the circumstance.

● **The stop function can be enabled and disabled.**

The product enables and disables stoppage. (The system is factory-configured to stop enabled.)

The model comes also with a function for enabling and disabling stop with the door open 90 degrees. This helps improve the operation environment of the door.

This is best suited for high-class doors in intelligent buildings, hotels, residential houses, and similar buildings.

● **The spring is preset.**

The closing torque is factory-adjusted. You do not have to wind it on the site. After the installation, you can unwind the spring according to the operation status on the site and control the closing torque.

● **Concealed type of the off set pivot hinge type**

The door comes only with a stainless steel decorated cover of the pivot hinge type. The closer is incorporated in the door.

Specifications

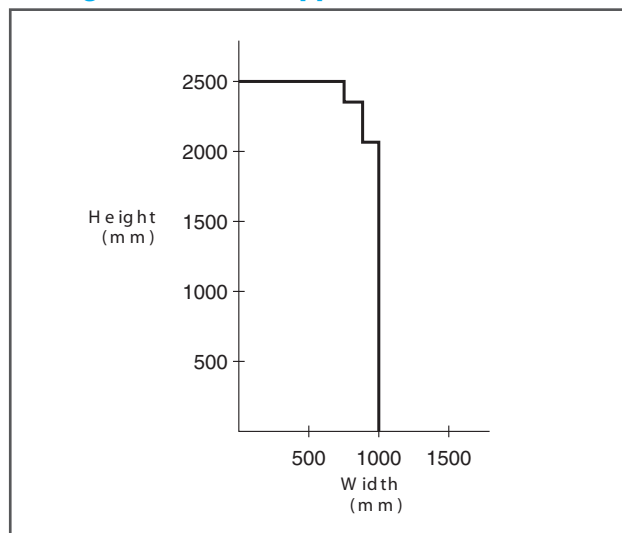
● **Model 643S**

Article	Hand	Door size applicable (mm)			Door weight applicable (kg)	Max. opening angle	Stop angle	Speed adjustment function
		W	H	D				
643SR	Right	900 or less	2400 or less	40 or more	85 or less	180° Left or right one-sided opening	90° Stop can be disabled	Two-valve system
643SL	Left							

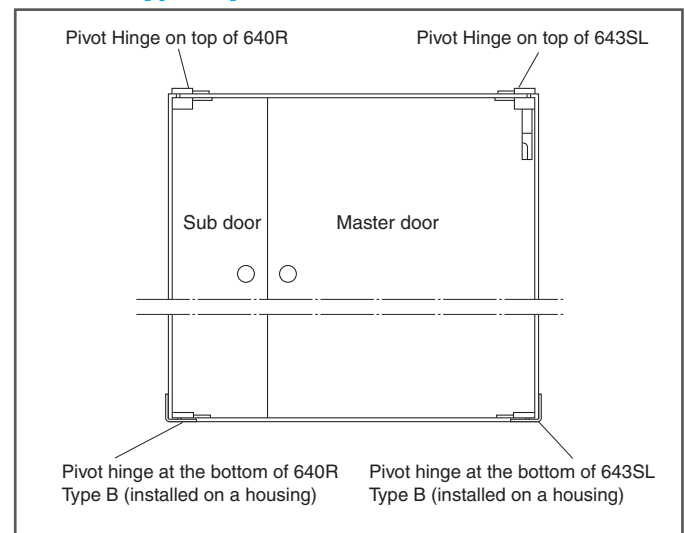
● **Model 640 (empty hinge)**

Article	Hand	Door size applicable (mm)			Door weight applicable (kg)	Max. opening angle	Stop angle	Speed adjustment function
		W	H	D				
640R	Right	900 or less	2400 or less	40 or more	85 or less	180° Left or right one-sided opening	—	—
640L	Left							

At-a-glance table of applicable doors



How it is typically installed

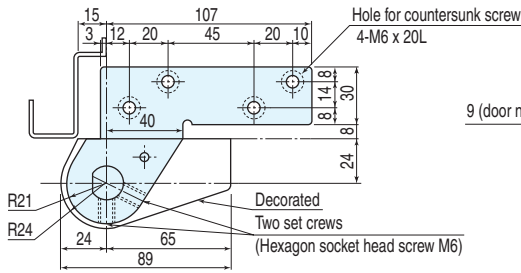


Installation diagram

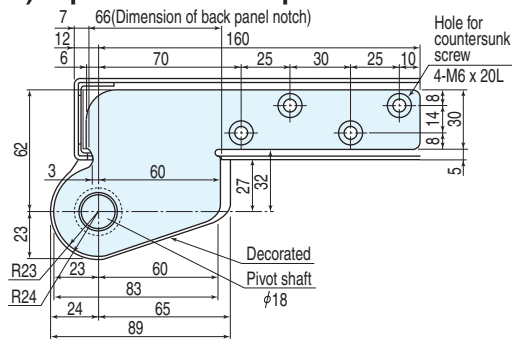
● Model 640

Top pivot hinge (without a closer)

1) Top frame side seat plate

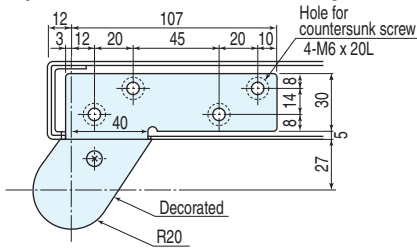


2) Top door side seat plate

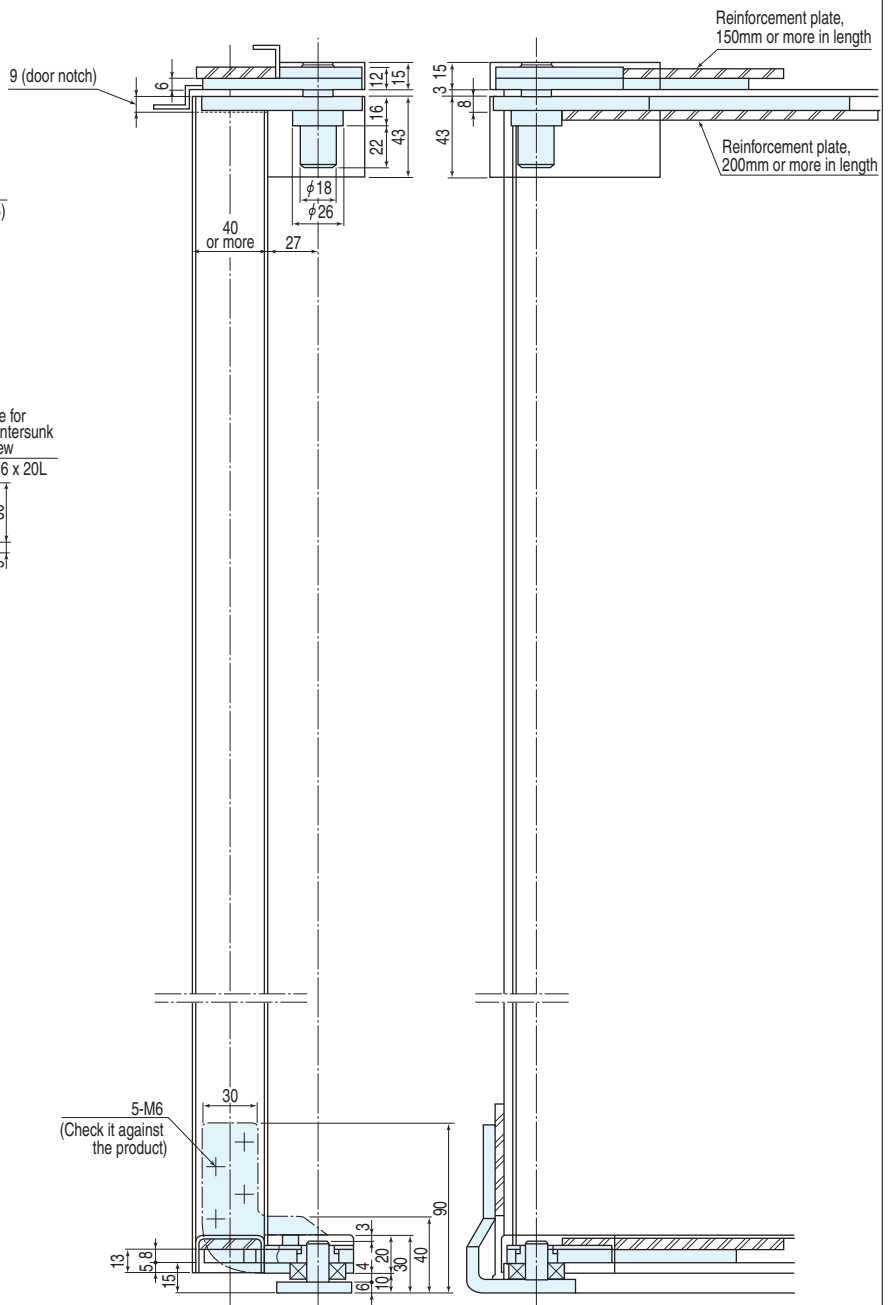
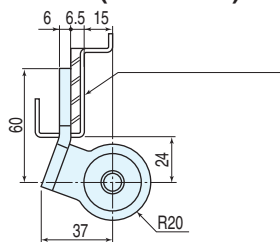


Bottom pivot hinge, type B (installed on the housing)

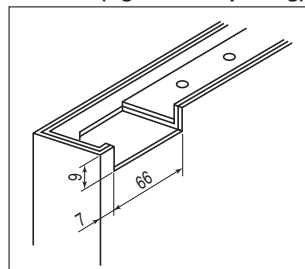
3) Bottom door side seat plate



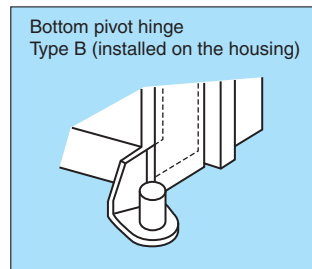
4) Bottom frame side seat plate (shaft seat)



● Notch at the top of the door (right hand opening)



● Pivot hinge shaft seat model

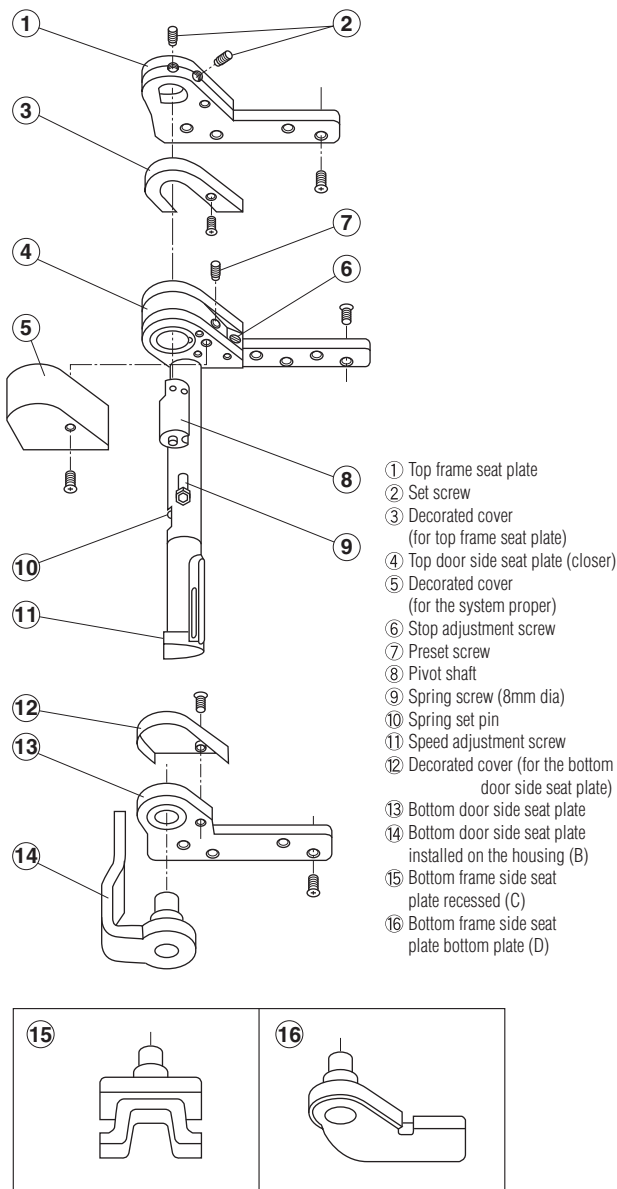


[Note 1] This diagram represents a right hand opening type (640R).

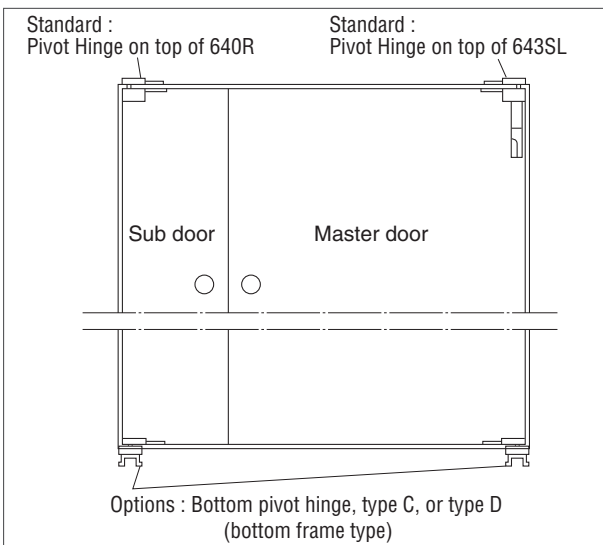
[Note 2] Be sure to use a reinforcement plate at least 3.2mm thick at a place where a frame side seat plate is installed.

[Note 3] Use M6 screws for installing the seat plate.

Part composition diagram



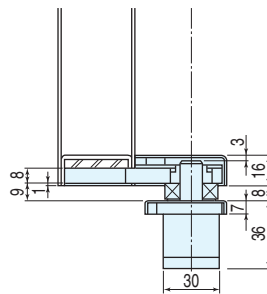
How an option is typically installed



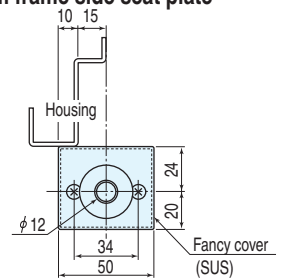
Options

The standard bottom pivot hinge for models 643S and 640 is type B (installed on the housing).
Optionally available is type C (recessed) and type D (bottom frame type).

○ Bottom pivot hinge, type C (recessed)

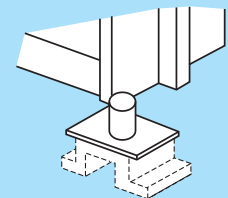


Bottom frame side seat plate

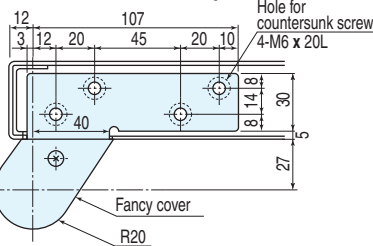


● Pivot hinge shaft seat type

Bottom pivot hinge, type C (recessed)

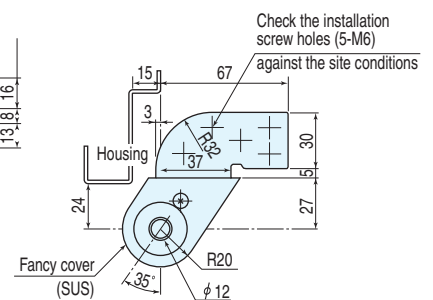
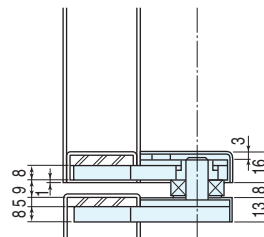


Bottom door side seat plate



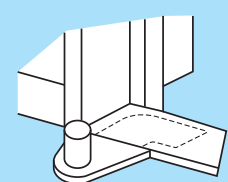
○ Bottom pivot hinge, type D (bottom frame type)

Bottom frame side seat plate

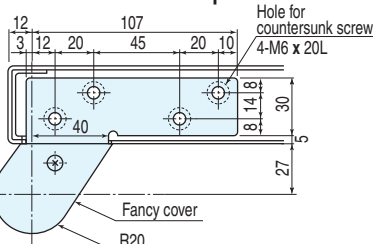


● Pivot hinge shaft seat type

Type D (bottom frame type)



Bottom door side seat plate

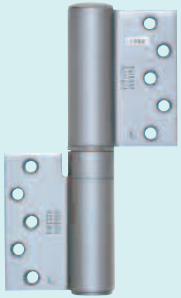


[Note] This diagram represents a right hand opening type.

AUTO HINGES

OTHER RELATED PRODUCTS

FLAG TYPE



- Armless closer making a boast of Nitto Kohki, being easily installed on an arch door, etc.
- Various models according to types and sizes of doors (wooden, aluminum, lightweight steel, steel doors) are available from us.

PC series

- Drip-proof design
- Adopts an actuator with unique temperature sensor, thus assuring constant closing speed all the year round.



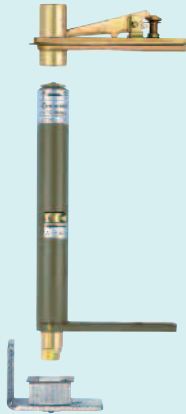
700 series

- They come with special sealing and stainless steel.
- A much wider range of uses including bathrooms and seashores.



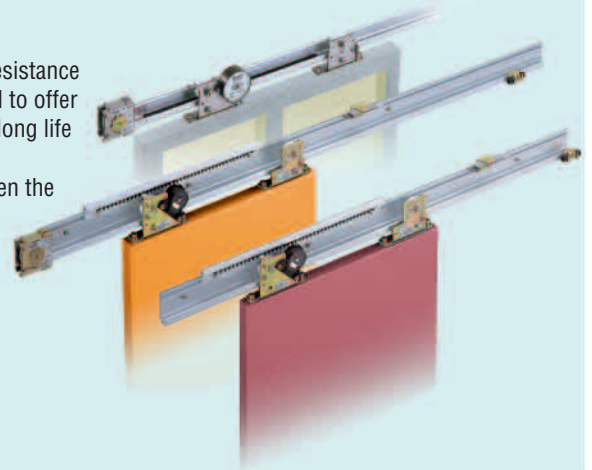
CENTER HANG TYPE

- Most suitable for fire protection, open smoke ventilation and normally-opened / closed doors and air supply doors.
- Concealed type (door built-in type.)



SLIDING CLOSER SYSTEM

- The endless, viscosity resistance type control is employed to offer a compact, lightweight, long life closer.
- Can be converted between the right- and left-handed opening types by a simple operation.



⚠ Safety precautions

- To avoid personal injury and other accidents, thoroughly read the precautions set forth in the "Instruction Manual" or "Catalog" and properly complete the installation and adjustment procedures before use.

- Ensure that the door closing speed is properly adjusted at all times. If it is too high, personal injury may result.

Driving Inventive Technologies Too Open Up Tomorrows



Head Office and Research Center
Nakaikegami 2-9-4, Ohta-ku, Tokyo
146-8555 Japan
Phone : 03(3755)1111 Fax : 03(3753)8791

Contact us
Kentokyo@nitto-kohki.co.jp

Product Info
<http://www.nitto-kohki.co.jp>

Overseas Auto Hinge Sales Division
Yokoyama Bldg. 7F, Nishi-Nippori 2-40-3,
Arakawa-ku, Tokyo 116-0013 Japan
Phone : 03(5850)5781 Fax : 03(3801)6001

Distributed by