

MICOM SW-SP Double Door Operation

MICOM SW-SP Double Door Operation

Incorporating all features, benefits and connections to that of a single swing operator, such as LED digital control, automatic latch and back check setting, we offer MICOM SW-SP Double opening possibilities for doors up to 250kg per leaf.



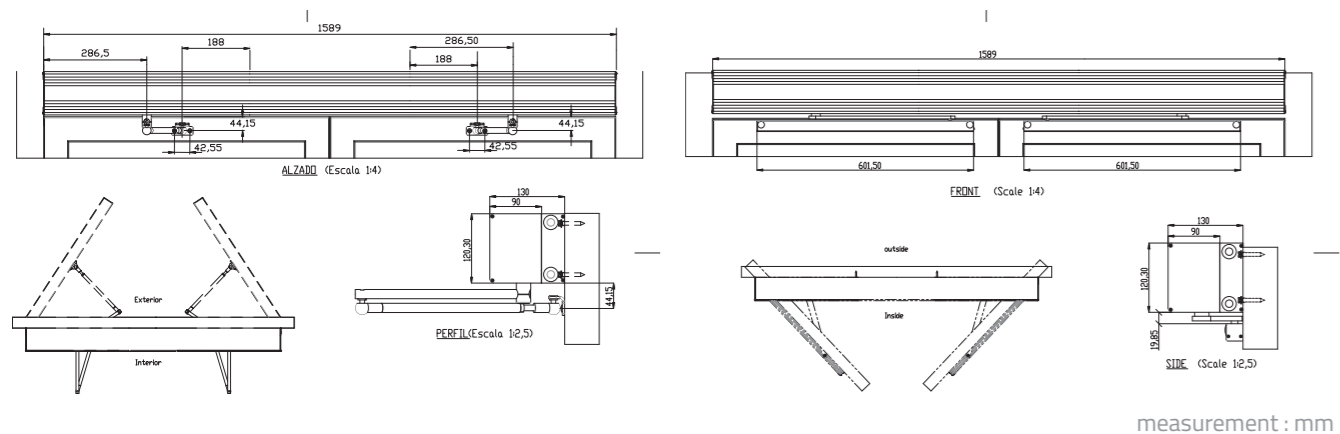
Installation - Double Door Operation

Two operators can be installed as a double swing door operator on a pair of doors either opening inwards or outwards. Connection and setup is quickly achieved with the use of only 2 wires and a 2 step program change. Both operators will work in sequence with one another. Door 1 can be assigned as Master, whilst door 2 is assigned as Slave.

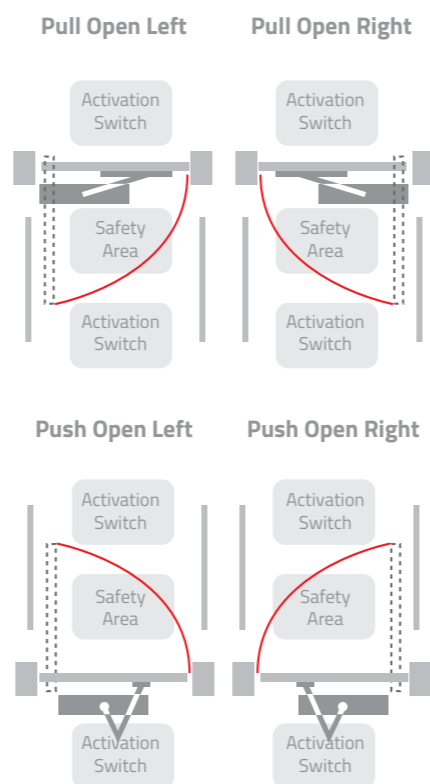
Operation can be adjusted to allow for delay in activation of door 1 in case of overlap. With intelligent closing, doors already know their final closed position, therefore if one door is out of sequence, it will automatically delay until the other has reached its latching position.

MICOM SW-SP Double Swing

MICOM SW-SP Double Swing



Non Handed Operation



Specification

Specification

Model	MICOM SW Double	MICOM SP Double
Type	Power close	Spring close
Door Weight (kg)	250kg per leaf	
Application	Surface mounted	
Operator	Gear box housing with belt drive	Gear box housing with belt drive and spring
Control	Digital microprocessor encoder	
Latch and Back Check	Automatic set up	
Closing Force	4 step adjustable by programming	
Handing	Non handed	
Installation option	Complete header cover and extended drive shaft available on request	

MICOM
AUTODOOR
www.micomautodoor.com

UK / European Office
The Grainger Suite // Regent Centre // Gosforth
Newcastle upon Tyne // NE3 3PF // United Kingdom

Telephone. +44 (0)191 233 6323
Facsimile. +44 (0)191 284 0222
Email. info@micomautodoor.com

MICOM-NHN Japan
Kenwa Co. Ltd.,
6th Floor // Marutake Honmachi Building
6-18 Honmachi 1-Home // Chuo-ku Osaka 541-0053 // Japan
Telephone. +81 6 6265 1130 // +81 6 6265 1131
Facsimile. +81 6 6265 1132
Email. info@micomautodoor.com // info@kenwa.co.jp



MICOM SW-SP

Automatic swing door operator
Exceptional quality economical prices

KENWA
Open to new possibilities

CE EN16005 Compliant

MICOM
AUTODOOR
www.micomautodoor.com

Introduction

Introduction

MICOM SW-SP automatic swing door operators allow barrier free access for all. Providing customer convenience when fully automatic, high frequency use is essential. Whilst meeting the needs of people with limited mobility with low energy operation, when a friendly door is required.

Unique Operating Features

MICOM SW-SP has been engineered to open doors for all, including people with limited mobility and children alike. Our carefully designed gear mechanism allows the door to be opened with incredible ease. Whilst at the same time prolonging service life, offering years of reliable, trouble free, swing door operation.

Being non-handed, MICOM SW-SP can accommodate left, right, push and pull swing applications in one compact and powerful unit.

Equipped with an adjustable heavy-duty spring, MICOM SW-SP can accommodate heavier doors up to 250kg in windy conditions. In addition, MICOM SW-SP incorporates an in-built adjustable doorstop, which eliminates the need for external stops and provides protection against wind damage.

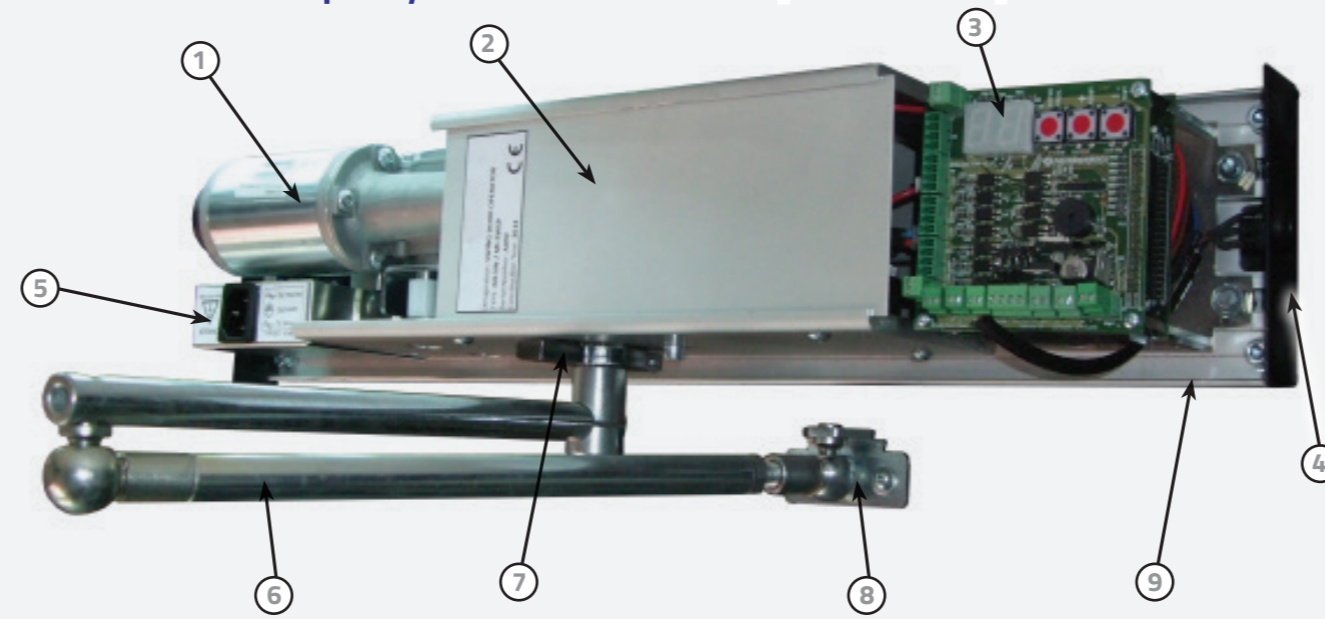
Main Features

- > 250kg Door capacity
- > Quiet and friendly
- > Suitable for low energy and high frequency use
- > Ultra-low resistance by hand
- > Easy non-handed conversion
- > Simple installation and adjustment
- > Digital LED display and function setting
- > 24V output for accessories
- > Long term continuous operation
- > EN16005 Compliant

MICOM SW-SP is the perfect choice for new and existing buildings, offering a powerful, yet gentle and friendly door opening solution.

Multi functional simplicity

Multi Functional Simplicity



No:	Description
1.	Motor Assembly
2.	Gear Box Assembly
3.	Control Unit
4.	3 Position Switch
5.	Power Plug in
6.	Push Arm (Pull Arm Available)
7.	Door Stop
8.	Door Shoe
9.	Base Rail

MICOM SW-SP is a very compact, durable and high-quality automatic swing door operator system. With an attractive housing design, small overall dimension and incorporating design features such as LED digital set up, simple latch and back check setting, as well as an inbuilt door stop.

MICOM SP - Spring Close

Used for high frequency entrances such as shopping malls, hotels and airports. When open speed and endurance of operation is essential, accepting all customary safety inputs and offering 24V output for activations and other accessories. EN16005 Compliant.

MICOM SW - Power Close

Used when a friendly door is required, light to the touch, push and go option is available. Open and closing speed can be restricted avoiding risk of any accident should someone unintentionally block the door.

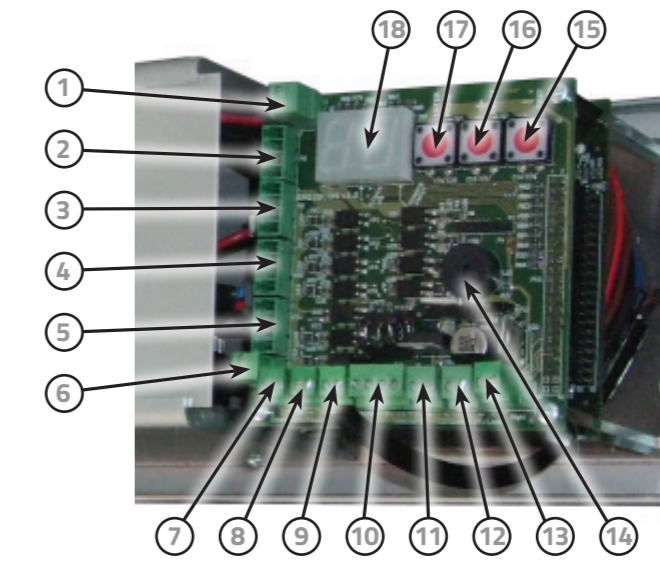
With an Electromagnetic Lock connection output supplied as standard, doors can be made secure to fit any requirement such as hospitals, schools, care homes and residential apartment buildings.

Latching & Back-Check Setting

Setting the total door movement is automatic. From initialisation, the operator will learn the opening and close cycle, retaining in memory the correct position of latch and back check. It will automatically calibrate for weight and apply the correct door speeds and forces required. When using spring close, if additional closing force is necessary, this can be simply achieved by programming. Thanks to our unique, user friendly procedure, installation and set-up can be achieved within minutes.

MICOM SW-SP Control Unit

MICOM SW-SP Control Unit



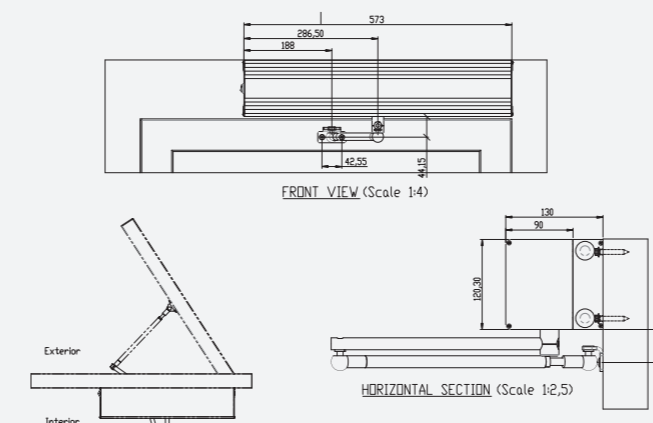
No:	Description	No:	Description
1	24V dc Output	10	Selector A (3pos switch)
2	External Sensor Input	11	Selector B (Option)
3	Internal Sensor Input	12	24Vdc E-Lock
4	Closing Safety Input (Security1)	13	24Vdc E-Lock
5	Closing Safety Input (Security2)	14	Night Bank
6	Security Sensor monitor (test)	15	'-' Test Button
7	Access Control Card ST-500	16	'+' Reset Button
8	Emergency Open/Close	17	Enter Prog Button
9	Emergency Stop Input	18	LED Display

Operational Features

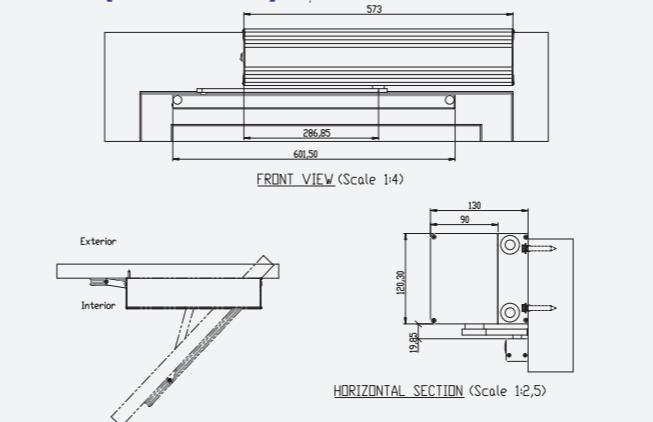
- > 3 Position switch (auto/off/hold open)
- > Open time up to 30 seconds
- > Timed delay after activation
- > Open cycle counter
- > E-Lock relay output
- > In-built adjustable door stop
- > Dual control available for double doors
- > Push & Go option available

Model	Micom-SW	Micom-SWSP
Door Capacity	250kg Max	
Closure with Spring	No	Yes
Max Open Angle	110 degrees (adjustable).	
Arm System	Push (Articulate) and Pull (Slide)	
Push & go	Yes (Adjustable)	
Power	AC230/110 V 50, 60 Mhz 2A	
Opening Speed	15-75 0/sec. (Adjustable)	
Control System	Micro-processor	
Braking Regulator	Automatic	
Opening Time	0-60 sec. (10 positions)	
Close Pressure	A small force can be configured to maintain the door open or shut. Strength from 0-8 kg.(in five positions)	
Security Function	Upon opening and encountering an obstacle, it will stop and an alarm will sound. Upon closing and encountering an obstacle, it will go back and slowly close. If it remains as such, it will stop and an alarm will sound.	
Detection of Fault	Notice and indication of the type of error by means of an acoustic signal and written display.	
Operation	Continuous	
Emergency Battery	The door will continue to function in the event of an electrical outage (optional)	
Electro-Magnetic Lock	Electro-Magnetic Lock of 12/24 Vdc (optional)	
Operating Environment	Room temperature from -20 degrees centigrade to +50 C (with no condensation or ice-forming). Environmental humidity from 30-85%. (There should be no dangerous materials in the environment).	
Operator dimensions	120 x 130 x 570 mm (height, depth, length).	
Weight of Operator	9kg	

Push (Link Arm) Installation



Pull (Slide Arm) Installation



measurement : mm

Ideal for both commercial pedestrian flow and residential applications.



601,50

CE EN16005 Compliant

