

Electric Strikes

GK1480 Series

Durable Strike for Glass Door Application



Horizontal faceplate adjustment compensates for misalignment

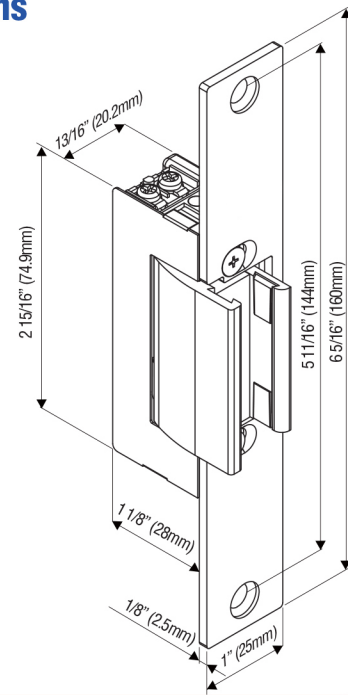


The GK1480 series electric strike is designed for use on full glass doors. It is reversible for right or left handed doors and can be installed at the top and side of the door.

Standard Features

- Easy installation
- 12 or 24 VDC
- Non-handed
- Fail-safe (For GK1480) or Fail-secure (For GK1481)
- For 10 mm or 12mm thick glass doors
- Includes black shims for 10mm thick glass door application
- Brushed stainless steel (US32D) finish
- Zinc alloy construction
- Horizontal faceplate adjustment compensates for misalignment

Dimensions



Electric Strikes

GK500 European Series

Durable, Versatile Strikes for Residential and Business



GK500 European Series with Faceplate Options

GK500 European Series

The GK500 European series electric strikes are designed for use with a night latch or mortise lockset. The GK515/525/545 provides hold-open function (internal) that enables the strike to stay unlocked until the actual opening of the door. The GK520/525 features a mechanical lever for manual release. The GK530/540/545 electric strikes have a stainless steel keeper for enhanced security.

Standard Features

- Endurance 1,000,000 cycles
- Non-handed fully reversible
- Zinc alloy construction
- Static strength
 - 800 lbs (363Kg) : GK500, 510, 515, 520, 525
 - 1000 lbs (454Kg) : GK530, 540, 545

Other Features

- Hold-open function (Internal)
- Mechanical lever (For GK520/525)
- Adjustable keeper
- Latch monitor

Patents, Approval, and Listings

- CE: EC741012-01 (GK500, 510, 515)

Faceplates

- Brushed stainless steel/Grey powder coated finish
- 4 Faceplate options for surface or mortise installation



6th Floor, Marutake Honmachi Building, Honmachi
1-6-18, Chuo-ku, Osaka 541-0053, Japan
Tel: +81-(0)6-6265-1130
Fax: +81-(0)6-6265-1132
E-Mail: info@nhnme.com www.nhnme.com

GK500 European Series Electric Strikes

Models	Voltage (VDC)	Mode	Latch Throw (mm)	Adjustable Keeper	Hold-Open (Internal)	Mechanical Lever	Optional Faceplates
GK500 GK500M	12 or 24	Fail-safe	9	●	—	—	FP-GK160 FP-GK250 FP-GK106 FP-GK110
GK510 GK510M	12 or 24	Fail-secure	9	●	—	—	FP-GK160 FP-GK250 FP-GK106 FP-GK110
GK515 GK515M	12 or 24	Fail-secure	9	●	●	—	FP-GK160 FP-GK250 FP-GK106 FP-GK110
GK520	12 or 24	Fail-secure	9	●	—	●	FP-GK160 FP-GK106
GK525	12 or 24	Fail-secure	9	●	●	●	FP-GK160 FP-GK106
GK530	12 or 24	Fail-safe	13	—	—	—	FP-GK160 FP-GK250 FP-GK106 FP-GK110
GK540	12 or 24	Fail-secure	13	—	—	—	FP-GK160 FP-GK250 FP-GK106 FP-GK110
GK545	12 or 24	Fail-secure	13	—	●	—	FP-GK160 FP-GK250 FP-GK106 FP-GK110



GK500/510/515
500M/510M/515M

"M" suffix in the model number indicates latch status monitoring.

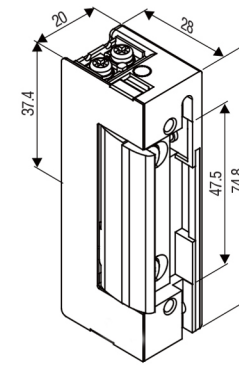


GK520/525

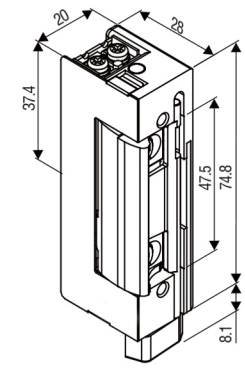


GK530/540/545
Stainless steel keeper

Dimensions



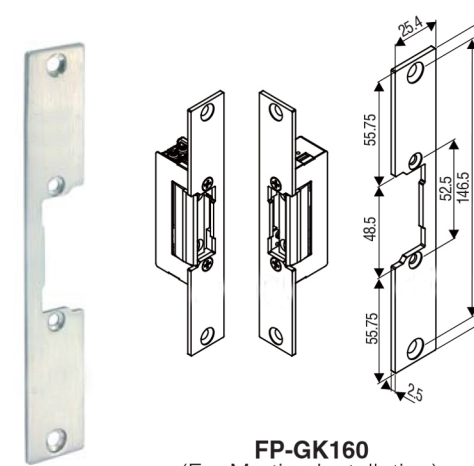
GK500 European Series
(GK500 shown)



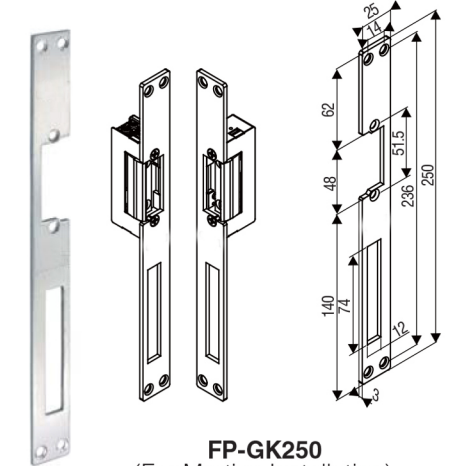
GK500 European Series with Latch monitor
(GK500M shown)

GK500 European Series Faceplate Options

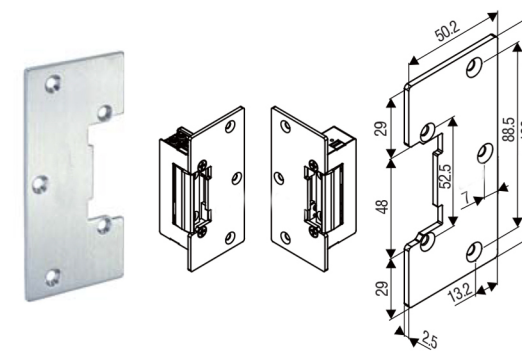
The GK500 European series electric strikes are reversible for DIN left and DIN right-handed doors and available with 4 faceplate options.



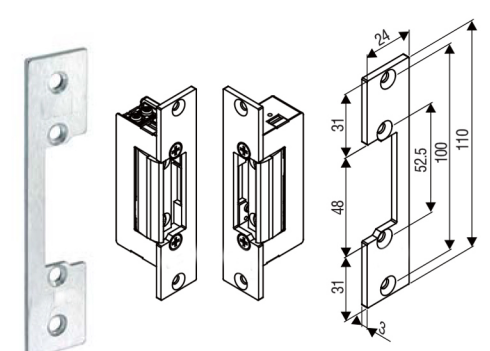
FP-GK160
(For Mortise Installation)



FP-GK250
(For Mortise Installation)



FP-GK106
(For Surface Installation)



FP-GK110
(For Mortise Installation)

All dimensions in mm