

NHN



Invisible Door Hardware

Hidden Door Hinge
Concealed Door Closer



NHN Invisible Door Hardware



Hidden Door Hinge / Concealed Door Closer

Features

NHN invisible door hardware offers beautiful and contemporary **streamline appearance** to the doors.

The high performance concealed door closer and the completely hidden door hinge are suitable for wooden, steel and aluminum doors, ideal solution for modern commercial buildings and residential buildings.



NHN KT3D is an innovative door hinge **completely concealed** into door and door frame.

The 3-D adjustability enables to make the hinge installation very easy and highly efficient. The opening angle of 180 degrees allows door to swing fully open. Combining with NHN concealed door closer offers beautiful and contemporary streamline door appearance with self-closing feature.



NHN 1600U-M/495 are stylish, robust and high performance **Concealed Door Closers**.

With the door closed, the main body and arm are completely concealed into door and door frame to streamline the external appearance. Combining quality, efficiency and functionality, NHN 1600U-M/495 provides smooth door closing motion utilizing a needle bearing, ideal for hotel room, reception room, powder room, hallway, modern office etc.

NHN invisible door hardware is a smart solution that integrates functionality into design.

Perfect for hotel guest rooms / conference rooms / reception rooms / modern storage / powder rooms / hallway doors etc.



NHN Invisible Door Hardware

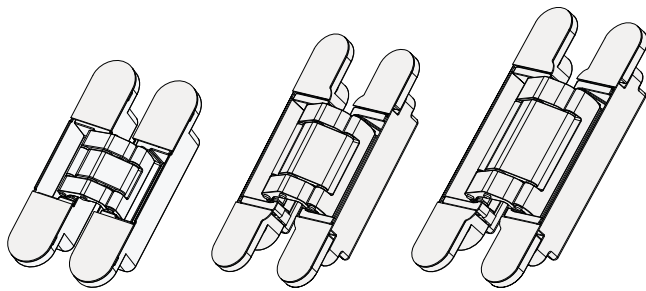


Hidden Door Hinge / Concealed Door Closer

Lineups

NHN KT3D series

Hidden Door Hinge

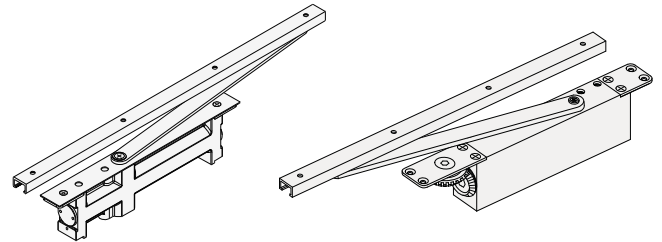


- Concealed into door and door frame.
- 3-D adjustability : Horizontal, vertical and depth.
(KT3D-140: $\pm 2\text{mm}$, $\pm 2.5\text{mm}$ and $\pm 1\text{mm}$)
(KT3D-199/200: $+3\text{mm}/-2\text{mm}$, $\pm 3\text{mm}$ and $\pm 1\text{mm}$)
- Opening angle : 180 degrees
- Non-handed, can be used for right/left-opening doors.
- Body: Special zinc alloy, Arm: Aluminum

Model	KT3D-140	KT3D-199	KT3D-200
Use	Interior only		
Door Size (Max)	900 x 2400 mm (35.4 x 94.5")	1000 x 2400 mm (39.4 x 94.5")	1200 x 2400 mm (47.2 x 94.5")
Door Thickness (Min)	Wood : 40 mm (1.6") Steel : 36 mm (1.4")	Wood : 55 mm (2.2") Steel : 50 mm (2")	
Door Weight (Max) With 2 hinges	60 kgs. (132 lbs.)	105 kgs. (231 lbs.)	160 kgs. (352 lbs.)

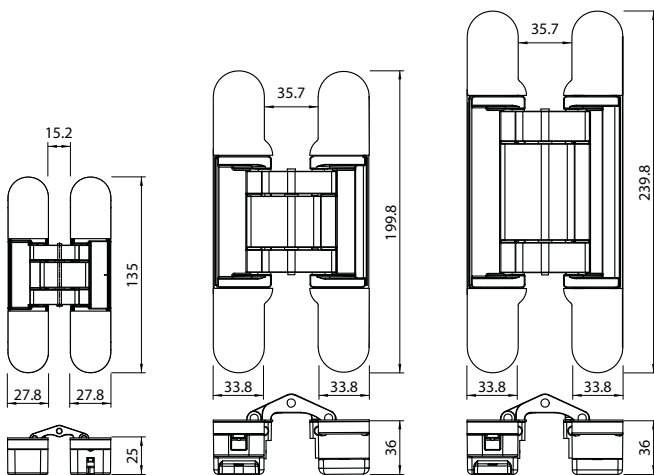
NHN 1600U-M / NHN 495 series

Concealed Door Closer



- Slim body, stylish, high quality and performance.
- Concealed into door and door frame
- Dual speed adjustability (closing and latching speeds)
- Standard hold-open function
- Adjustable opening angle and hold-open position
- Aluminum body
- Non handed, can be used for right/left-opening doors.

Model	1628U-M	1638U-M	495
Use	Interior only		
Applicable Door Width	550 - 850 mm (21.7 - 33.5")	750 - 950 mm (29.5 - 37.4")	550 - 1100 mm (21.7 - 43.3")
Minimum Door/Frame Thickness	For standard installation		Door : 49 mm (1.93") Frame : 40 mm (1.57")
	For reverse (top jamb) installation		Door : 40 mm (1.57") Frame : 49 mm (1.93")
Applicable Door Weight	25 - 40 kgs. (55 - 88 lbs.)	40 - 60 kgs. (88 - 132 lbs.)	30 - 100 kgs. (66 - 220 lbs.)

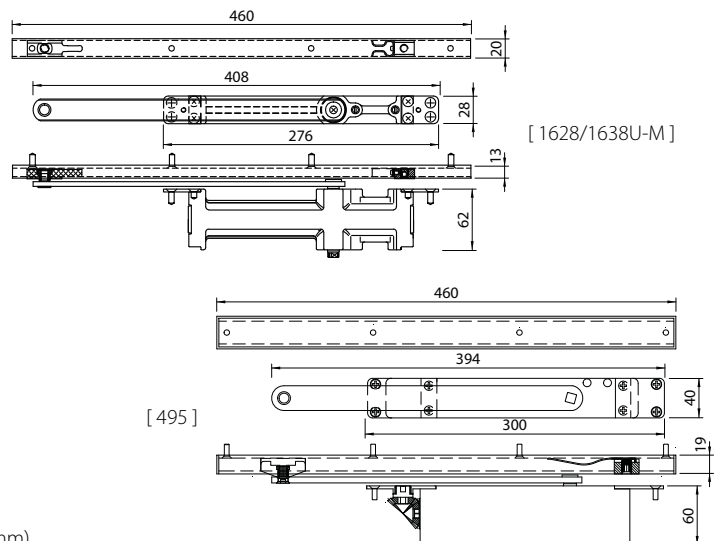


[KT3D-140]

[KT3D-199]

[KT3D-200]

(Unit : mm)



[1628/1638U-M]

[495]