

INSTALLATION AND OPERATION INSTRUCTIONS

FOR THE FIXED RECEPTIVE BASE MODEL U-3N · U-6N · U-7N

Thoroughly read the following instructions to ensure correct installation and operation of this product.

Precautions for use.

1. Do not install in a position exposed directly to water or rain.
2. Do not install in a position exposed to strong winds.
3. Fixed receptive base can be installed if the movable receptive base is not suitable for fix.
4. Refer to the table of applicable door for choosing the suitable model.
5. Be sure to weld to the reinforcing bar tightly.
6. Fixed receptive base is common for right or left hand.
7. Make sure that fixing direction.

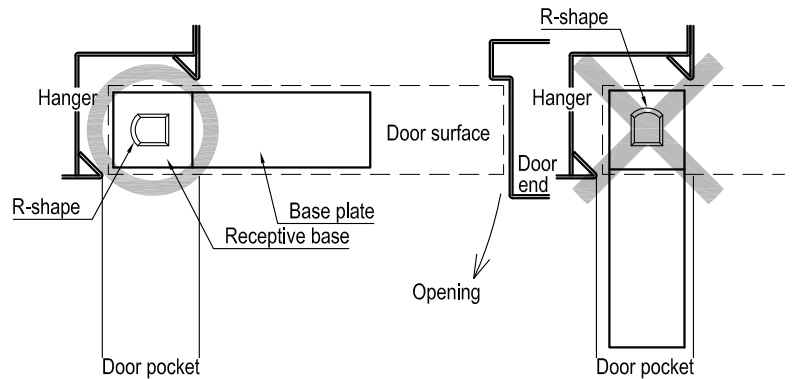
Long side of base should be installed parallel with door close position.

- Round shape hole of base should be fixed towards the hinge style when door is closed.
- Top pivot and base should be centered when fixing.
- Receptive base should be welded on to base plate and be parallel with door closing direction and floor level

Before mortar finishing, receptive base should be welded on to some slab reinforcing.

Base model and applicable door sizes

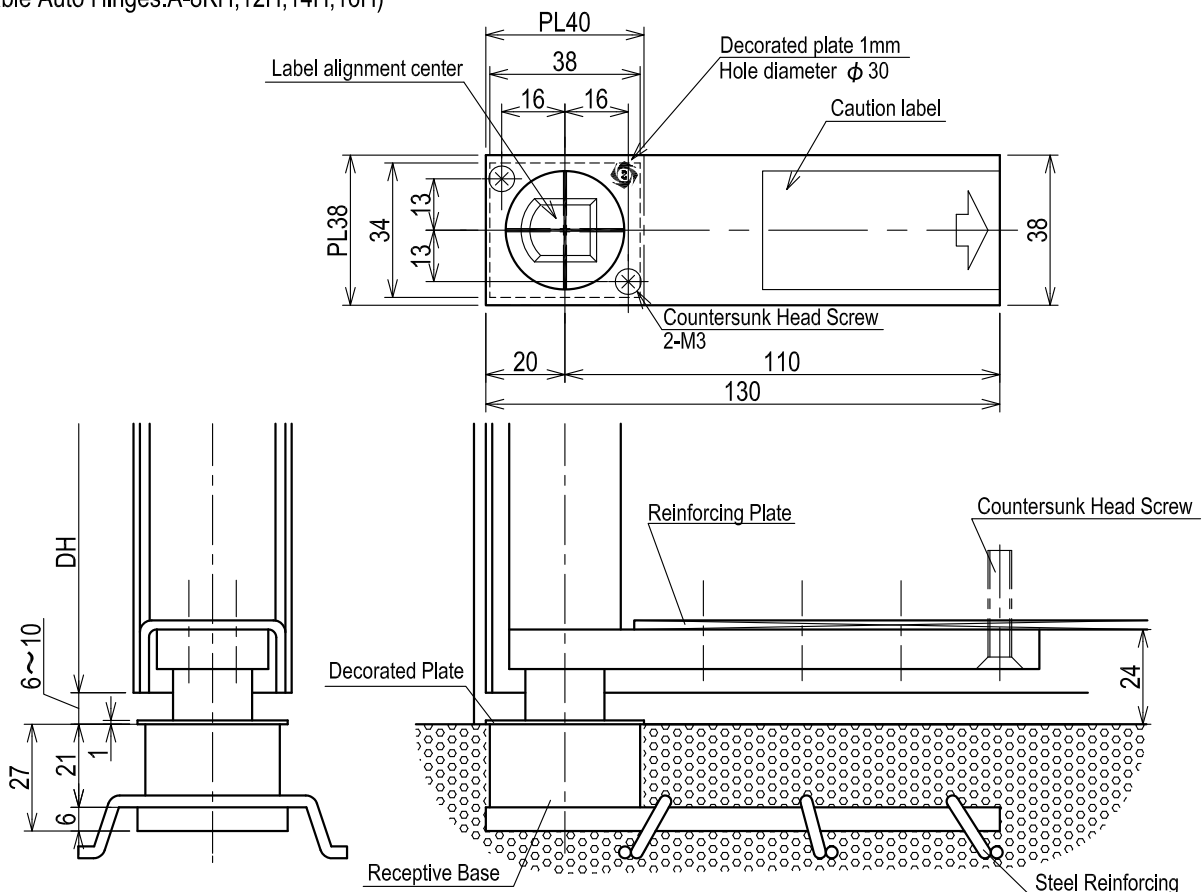
Base model	Hinge model	Applicable door sizes			Applicable door mass[kg]
		W	H	D	
U-3N	A-8KH	800max	2,000max	36min	50max
	A-12H	1,200max	2,100max	40min	100max
	A-14H	1,400max			130max
	A-16H	1,600max	2,400max	45min	160max
U-6N	A-22	2,200max	2,400max	50min	240max
U-7N	A-30	3,000max	2,600max	55min	410max
	A-35A	3,500max	3,000max	55min	650max



U-3N External Dimensions and Fitting diagrams

(mm)

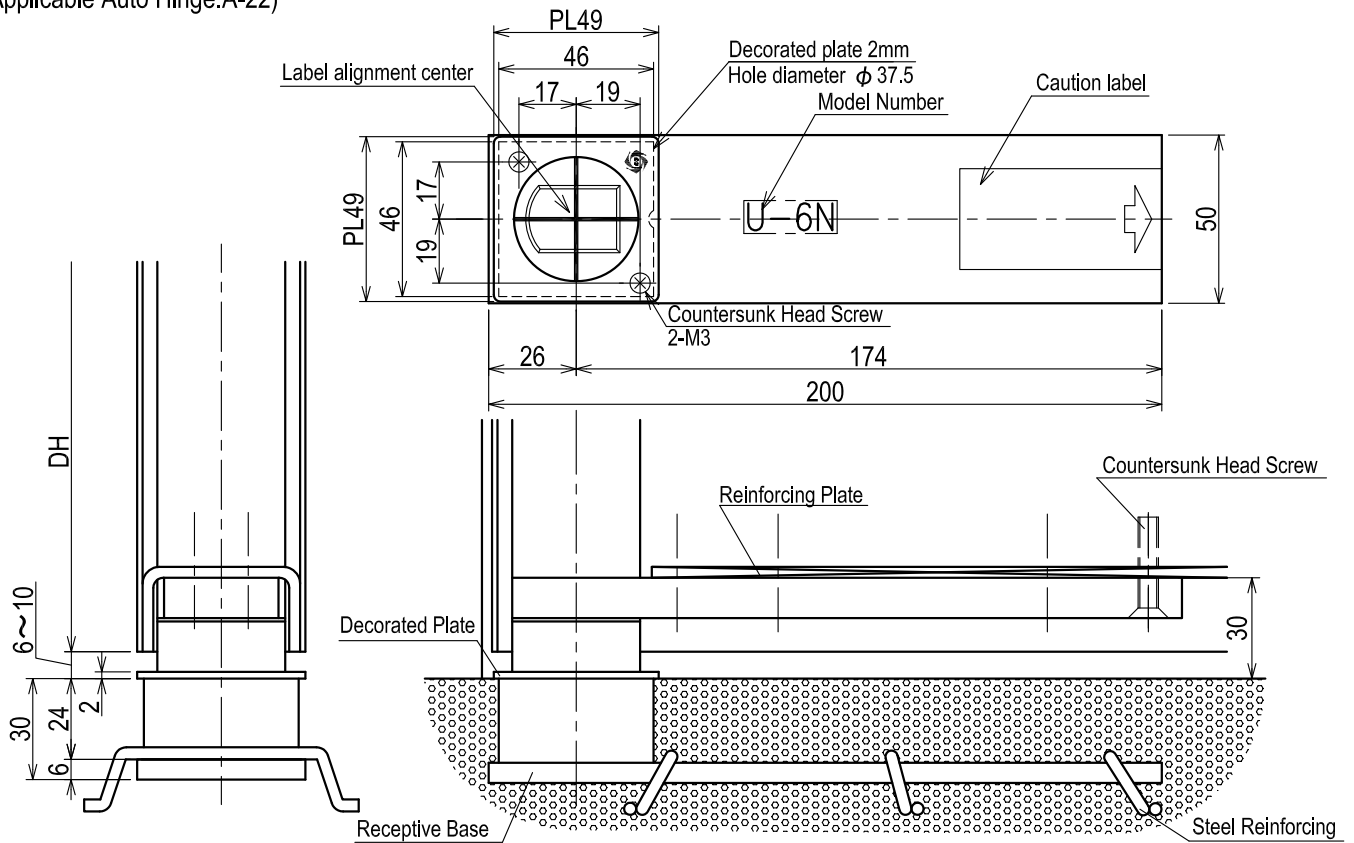
(Applicable Auto Hinges: A-8KH, 12H, 14H, 16H)



U-6N External Dimensions and Fitting diagrams

(mm)

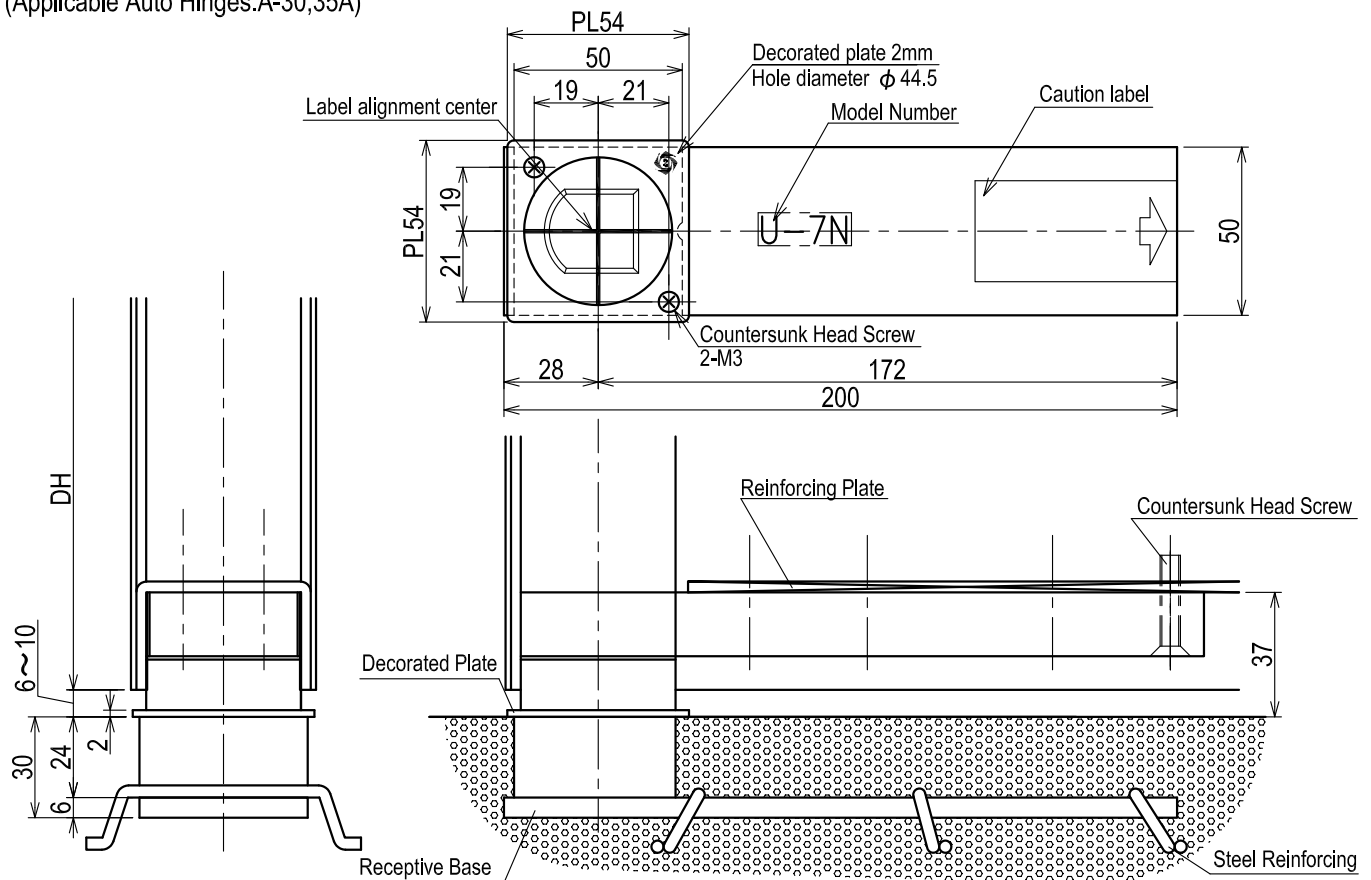
(Applicable Auto Hinge:A-22)



U-7N External Dimensions and Fitting diagrams

(mm)

(Applicable Auto Hinges:A-30,35A)



TX10482-0



Headquarters and Laboratory: 2-9-4, Nakaikogami,
Ota-ku, Tokyo 146-8555 JAPAN
TEL 03 (3755) 1111