

ACCESSORIES

PARALLEL PLATE



CONVERSION BRACKET (A)



CONVERSION BRACKET (B)



CONVERSION BRACKET (C)



L-BRACKET



HOLD OPEN ARM



SLIDE ARM



ARM EXTENDED LINK



FUSIBLE LINK



DROP PLATE



MOUNTING PLATE



ANGLE BRACKET



COVER

NHN[®] 350 SERIES

Tested to EN1154
and fire tested to
EN1634-1



The NHN door closer offers a comprehensive range of hydraulic door closers to suit various applications. We maintain our long standing worldwide reputation for high quality and reliability.

No. 350 series door closer is inexpensive model to suit the most standard doors.

Successfully awarded EN1154, EN1634-1 and CE Certifications, the NHN 350 Series is backed up with a 5 years 'No Quibble' guarantee.

FEATURES

- Available in variable power EN2-4 by position.
- Back-check function optional.
- Easy installation and adjustment
- Comprehensive range of accessories
- Slimline body
- Non-handed



6th Floor, Marutake Honmachi Building, Honmachi
1-6-18, Chuo-ku, Osaka 541-0053, Japan

Tel: +81-(0)6-6265-1130

Fax: +81-(0)6-6265-1132

E-Mail: info@kenwa.co.jp http://www.kenwa.co.jp

http://www.micomautodoor.com

DISTRIBUTED BY



SELECTION CHART

Power size (EN)	Door width (mm)	Door weight (kg)	350 SERIES			
			REGULAR	HOLD OPEN	BACKCHECK	SLIDE ARM
2	850	40	350	350 S	350 BC	350 GL
3	950	60				-
4	1100	80				-

FUNCTION

Back-check function

(optional)

This function is built into the door closer body and checks the outward swing of the door.

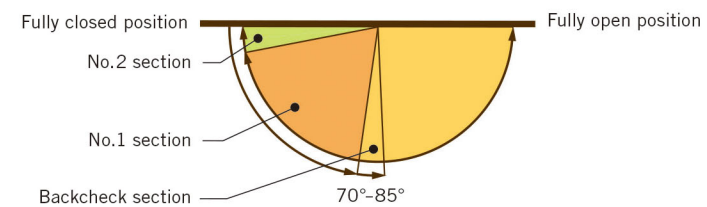
Most suited where the opening door might hit a wall i.e. in a corridor, or where it could injure someone if opened too quickly.

It is recommended for use on externally opening doors in windy environments.

The backcheck function works between 70° & 85°.

The backcheck strength can be adjusted by turning the backcheck valve screw located on the end of the closer body.

IT SHOULD NOT BE REGARDED AS A DOOR STOP !

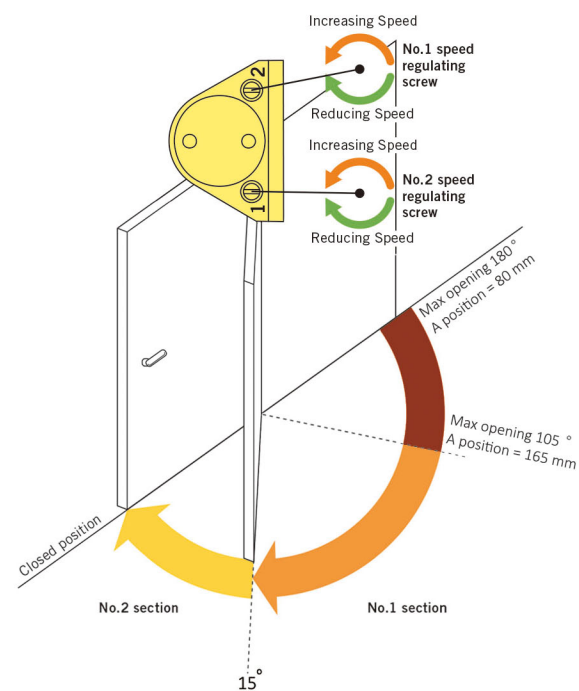


ADJUSTMENT

Force adjustment

Max door opening degrees	Power size (EN)	Door width (mm)	Door weight (kg)	A	Shoe
180	2	850	40	80	
180	3	950	60	80	
105				165	
105	4	1100	80	165	

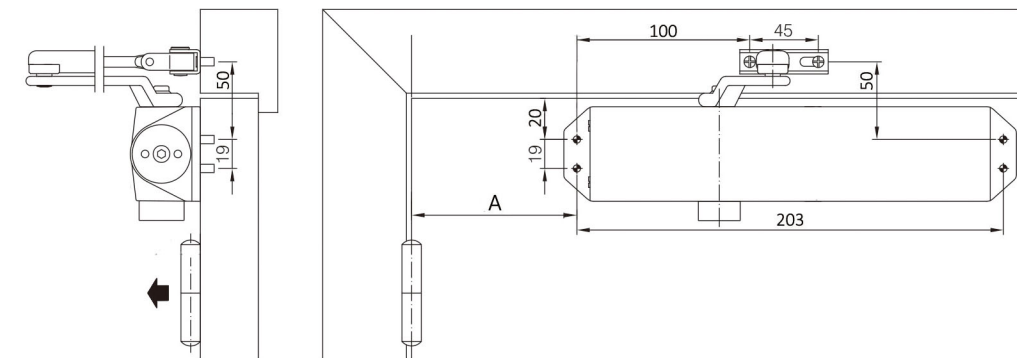
Closing speed adjustment



INSTALLATION

Standard installation

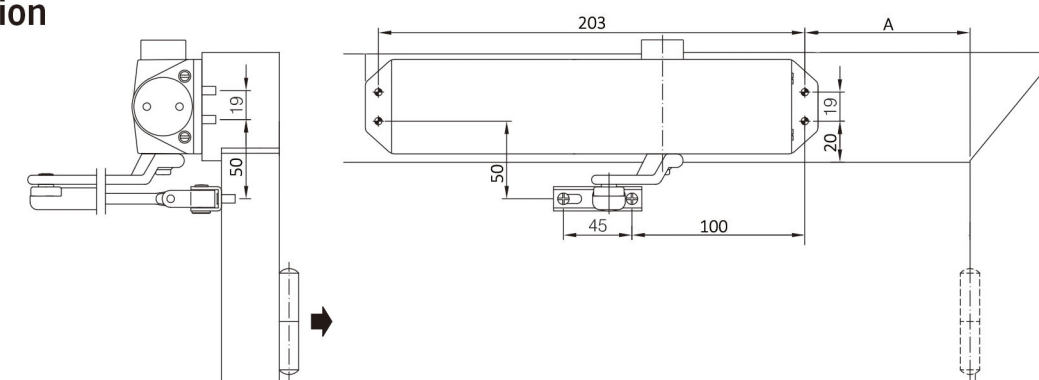
This illustration shows a right handed configuration (DIN L).



A	Force	
80mm	EN2	EN3
165mm	EN3	EN4

Top jamb installation

This illustration shows a right handed configuration (DIN L).



A	Force	
80mm	EN2	EN3
165mm	EN3	EN4