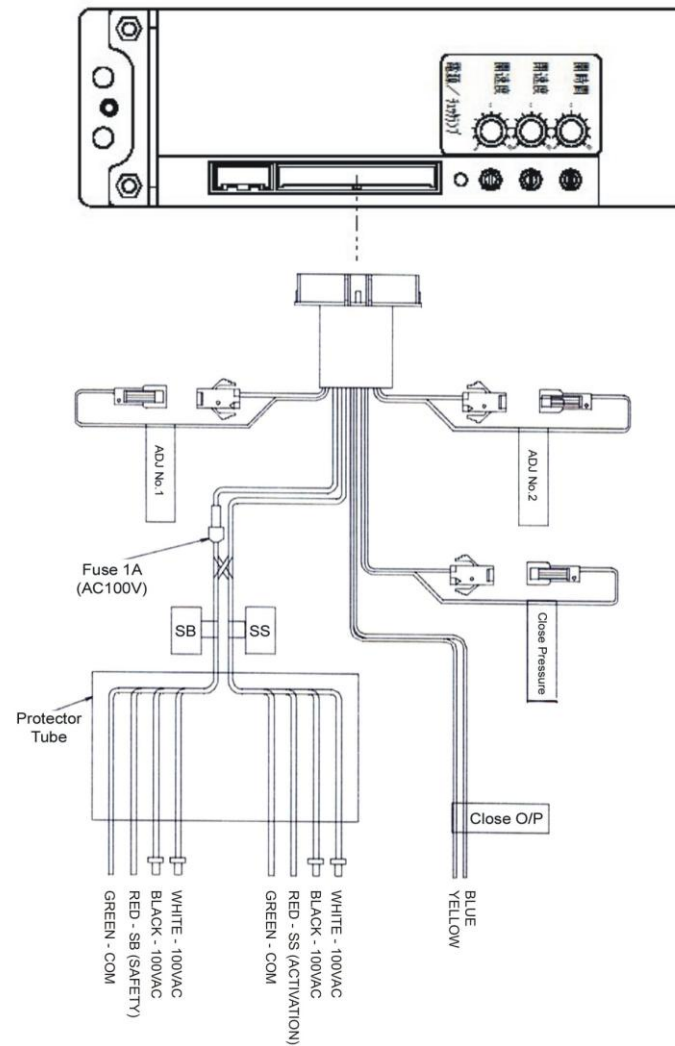


EDM MM100 – Wiring Connections



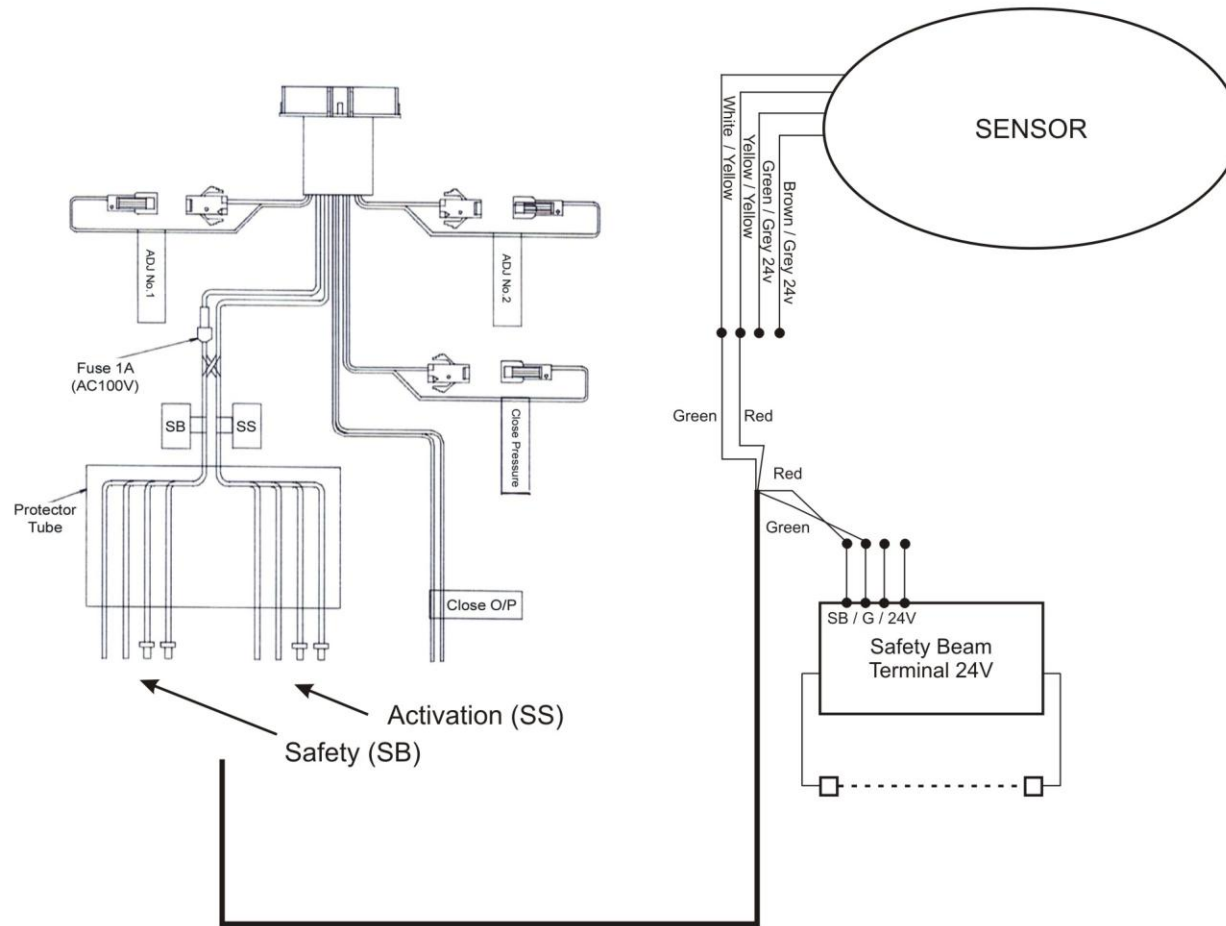
GREEN – COM
 RED – ACTIVATION (SS)
 WHITE – 100V (NOT USED)
 BLACK – 100V (NOT USED)

GREEN – COM
 RED – ACTIVATION (SB)
 WHITE – 100V (NOT USED)
 BLACK – 100V (NOT USED)

BLUE – COM (CLOSE END OUTPUT)
 YELLOW – CLOSED END OUTPUT

BRAKING ADJUSTMENT:
 ADJ No.1
 ADJ No.2
 CLOSE PRESSURE

EDM MM100 - Wiring No.1: BASIC WIRING



Notes:

- 1) Activation – Wire to Sensor or Activation device to activate door.
- 2) Safety – Wire to sensor which detect during operation

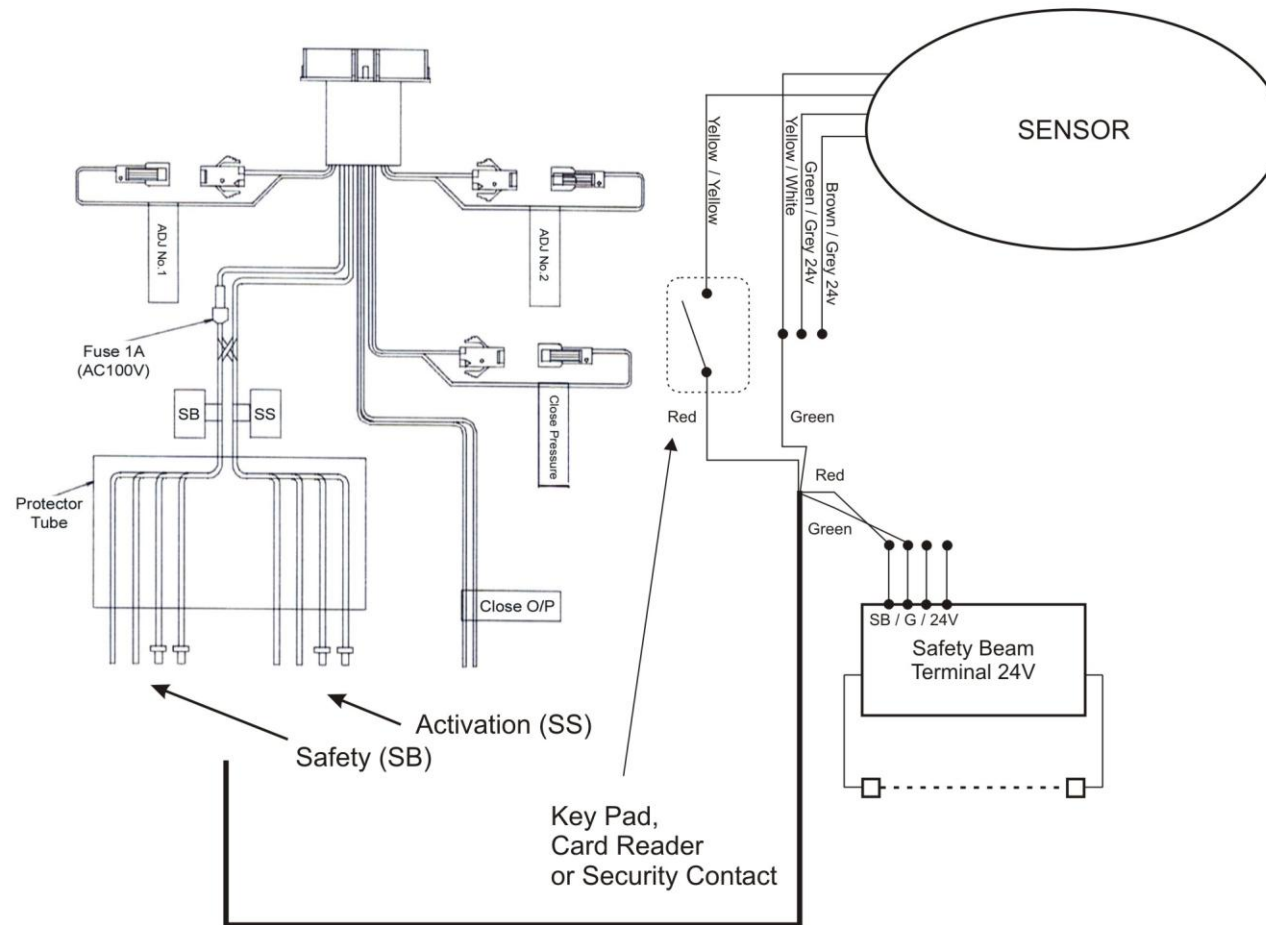
Wires:

- GREEN – COM
- RED – ACTIVATION (SS)
- GREEN – COM
- RED – ACTIVATION (SB)

WHITE – 100V (NOT USED)

BLACK – 100V (NOT USED)

EDM MM100 – Wiring No.2: SECURITY WIRING – ACCESS CONTROL

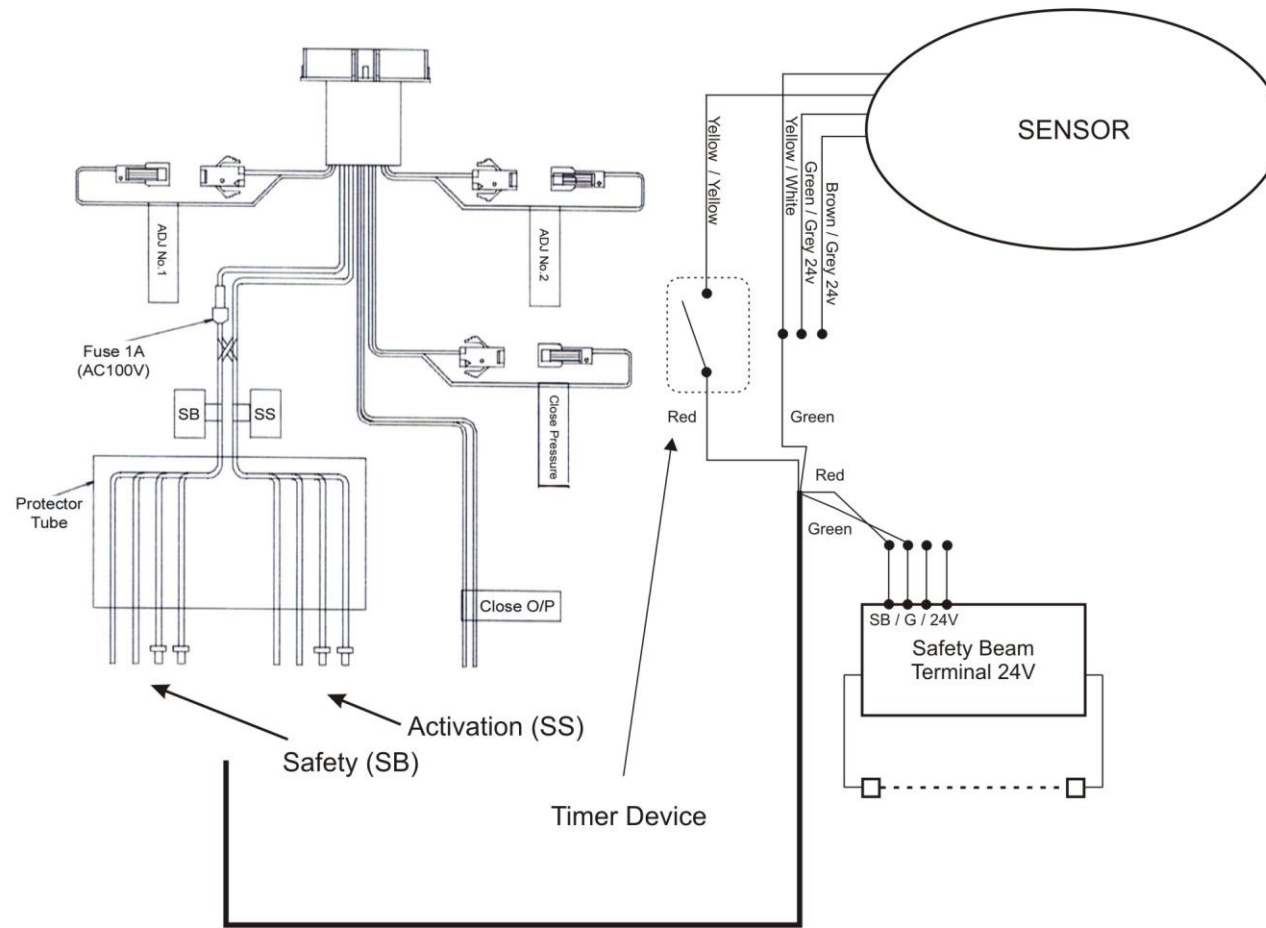


Notes:
Door will open and close when get permission from card reader, keypad or other security system.

Wires:
GREEN – COM
RED – ACTIVATION
GREEN – COM
RED – ACTIVATION (SB)

WHITE – 100V (NOT USED)
BLACK – 100V (NOT USED)

EDM MM100 – Wiring No.3: SECURITY WIRING - TIMER

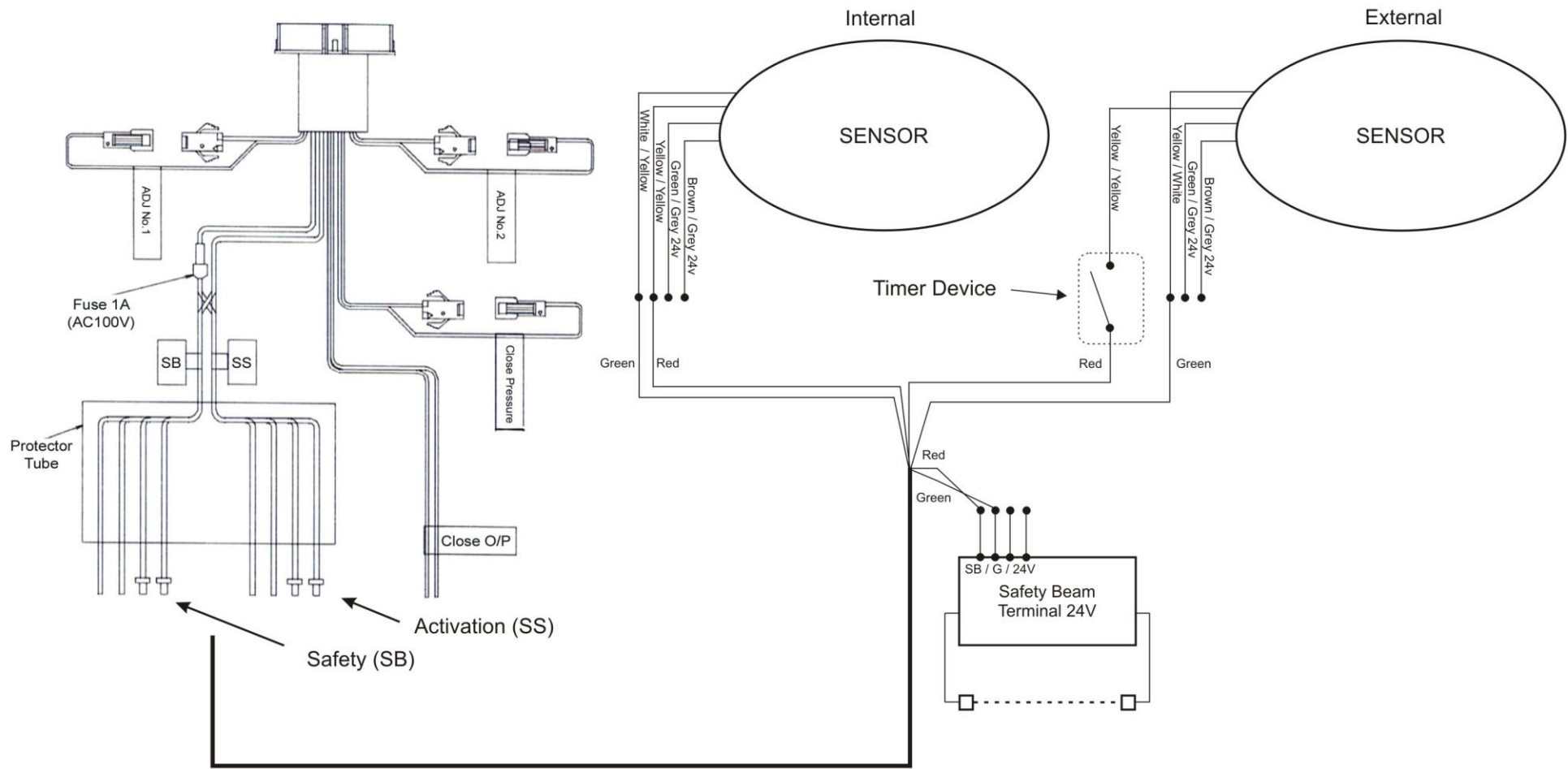


Notes:
Door will open and close by activation only during pre-set time.

Wires:
GREEN – COM
RED – ACTIVATION
GREEN – COM
RED – ACTIVATION (SB)

WHITE – 100V (NOT USED)
BLACK – 100V (NOT USED)

EDM MM100 – Wiring No.4: TIMER ACCESS

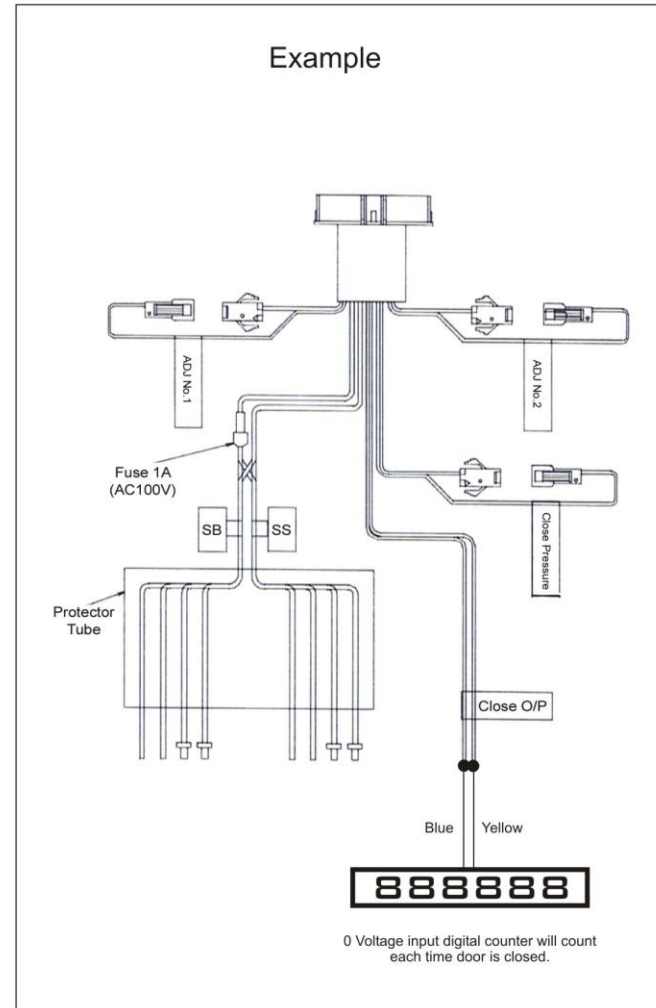
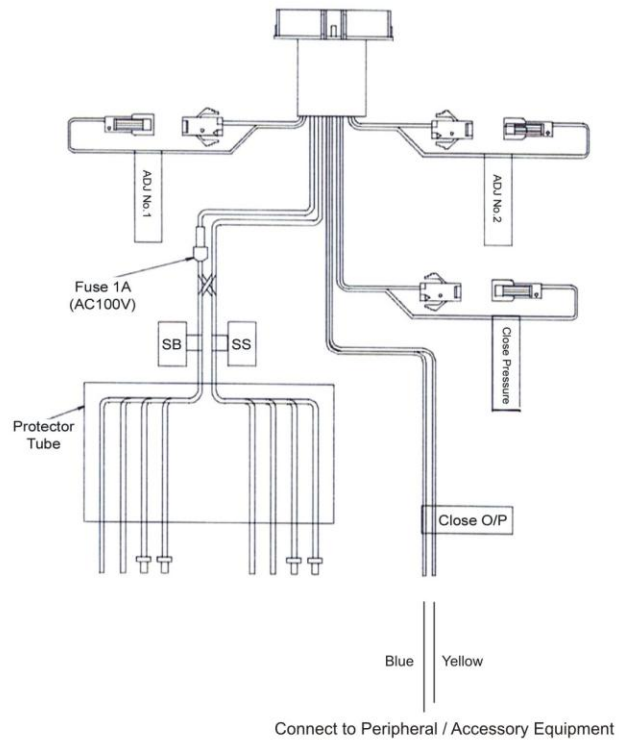


Notes:
 Entering room is restricted with timer device. Exit from room is allowed.

Wires:
 GREEN – COM
 RED – ACTIVATION
 GREEN – COM
 RED – ACTIVATION (SB)

WHITE – 100V (NOT USED)
 BLACK – 100V (NOT USED)

EDM MM100 – Wiring No.5: CLOSED END OUTPUT SIGNAL

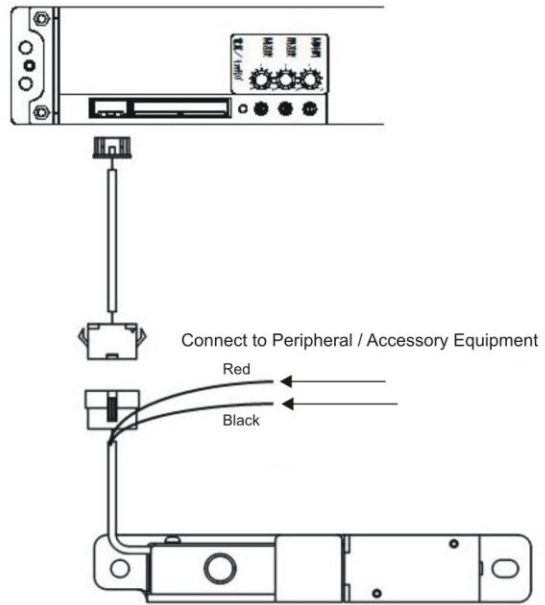


Notes:
 Load Capacity:
 0.3A AC125V
 1A DC24V

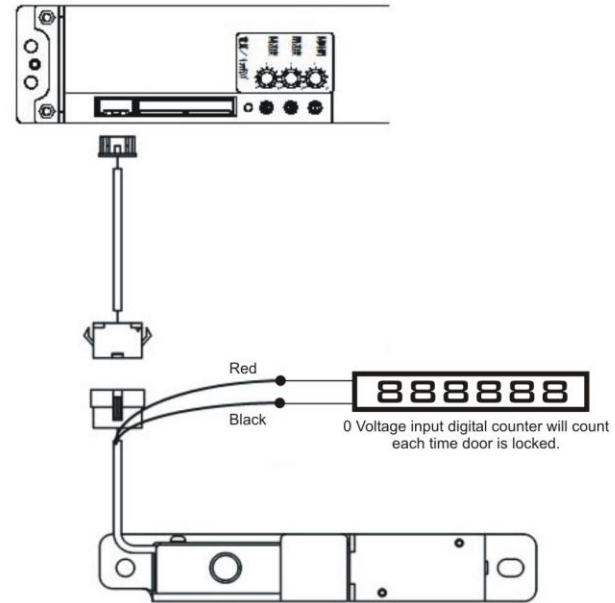
Wires:
 BLUE – COM (CLOSE END OUTPUT)
 YELLOW – CLOSE END OUTPUT

EDM MM100 – Wiring No.6: LOCK OUTPUT SIGNAL

E-Lock - Output Signal



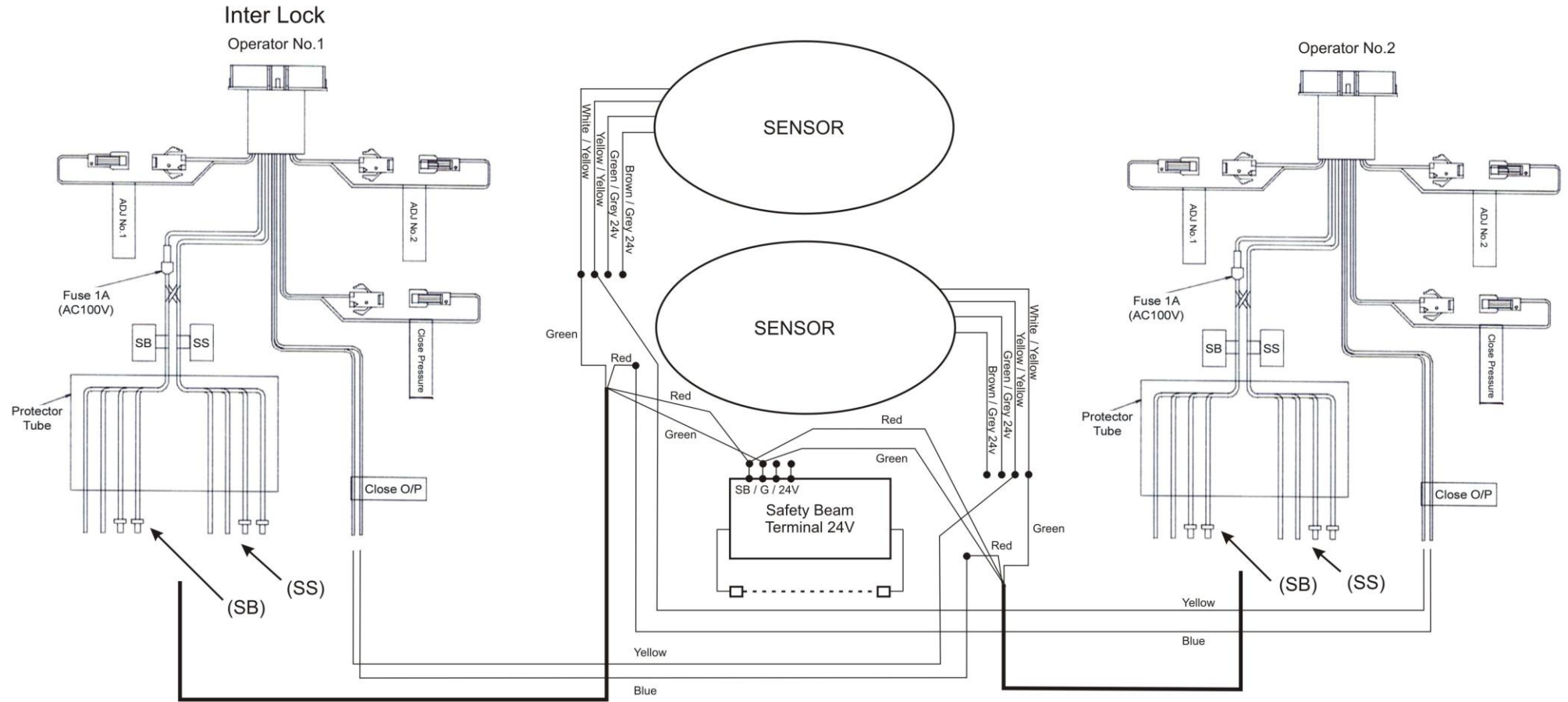
Example



Notes:
Load Capacity:
0.3A AC125V
1A DC24V

Wiring:
RED – LOCK OUTPUT
BLACK – COM (LOCK OUTPUT)

EDM MM100 – Wiring No.7: INTERLOCK OUTPUT SIGNAL



Wires:
 GREEN – COM
 RED – ACTIVATION
 GREEN – COM
 RED – ACTIVATION (SB)

Wires:
 BLUE – COM (CLOSE END OUTPUT)
 YELLOW – CLOSE END OUTPUT