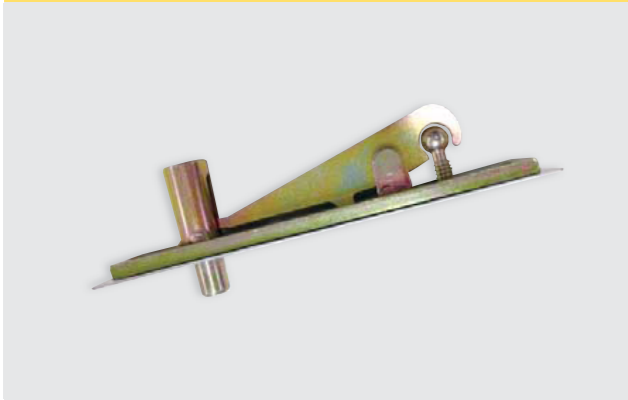


ACCESSORIES

TP2 TOP PIVOT



TP1A TOP PIVOT



PDC100W FPCP FIXING PLATE with stainless steel cover



DOOR PART OF TOP PIVOT SET



NHN PDC100WR SERIES



The NHN PDC-100WR pivot closers are suitable for timber, aluminium and steel doors revolving doors 360°.

Incorporating the latest cam type technology, the NHN PDC-100WR pivot closers offer easy opening with increased efficiency on the closing torque.

The closing speed is easily adjusted via one adjustment valve.

Available with or without hold open at 90° & 270°.

Narrow style with high performance.

Easy installation.

Reduced costs and installation time as no preparation on the floor needed.

5 year Guarantee against faulty workmanship.

FEATURES

- Suitable for revolving doors with a maximum width 2500 mm and a maximum weight of 200 kg.
- Quick and easy installation.
- Easy opening by low opening resistance.
- Fine position adjustments, 3mm backward / forward, 3mm left / right, ± 4° alignment.
- Temperature -20° C - +40° C.
- Supplied complete with top pivot set.
- Non hold-open model and hold-open model available.



6TH FLOOR, MARUTAKE HONMACHI BLDG.
HONMACHI, 1-6-18, CHUO-KU, OSAKA 541-0053 JAPAN
TEL: +81-6-6265-1131
E-MAIL: info@kenwa.co.jp
WEB: kenwa.co.jp

E.&O.E.
All sizes, photo's and drawings are subject to change without prior notice.
Copyright © 2021 KENWA CO., LTD. OSAKA JAPAN All Rights Reserved.

DISTRIBUTED BY



SELECTION CHART / FUNCTION & ADJUSTMENT

SELECTION CHART

MODEL NO.	Function	Max. door width	Max. door weight	Max. opening angle
PDC103WR	Non-hold open	1500mm	100kg	360°
PDC103WR-S	Hold open 90° & 270° (±1.5°)			
PDC105WR	Non-hold open	2500mm	200kg	
PDC105WR-S	Hold open 90° & 270° (±1.5°)			

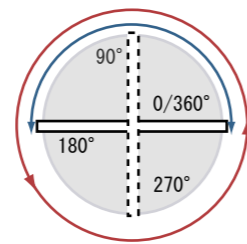
1

Double action 360°

Non hold open model PDC103WR, 105WR:

Hold open model PDC103WR-S, 105WR-S:
Hold open position angle 90° & 270°

*The illustration shows counterclockwise

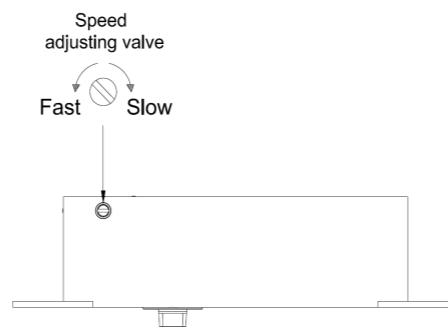


- ① 0-180° opening the door will close in the 90-0° direction
- ② Opening beyond 180° the door will close in the 270° to 360/0° direction

2

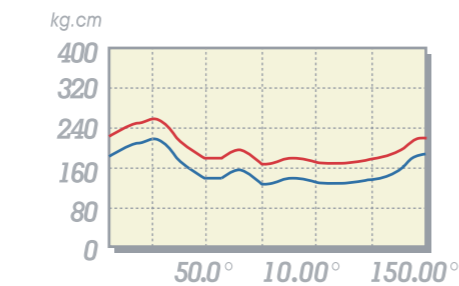
Speed adjustment

One speed adjustment valve to control the closing speed



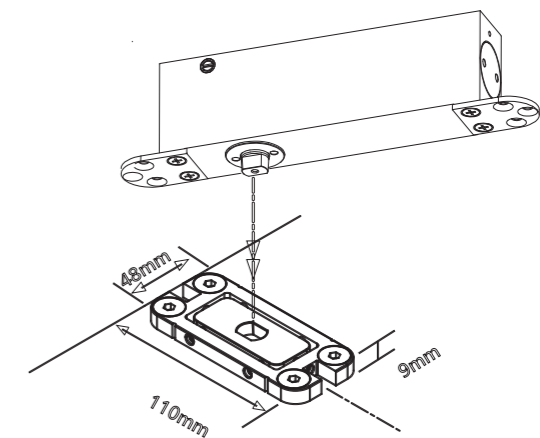
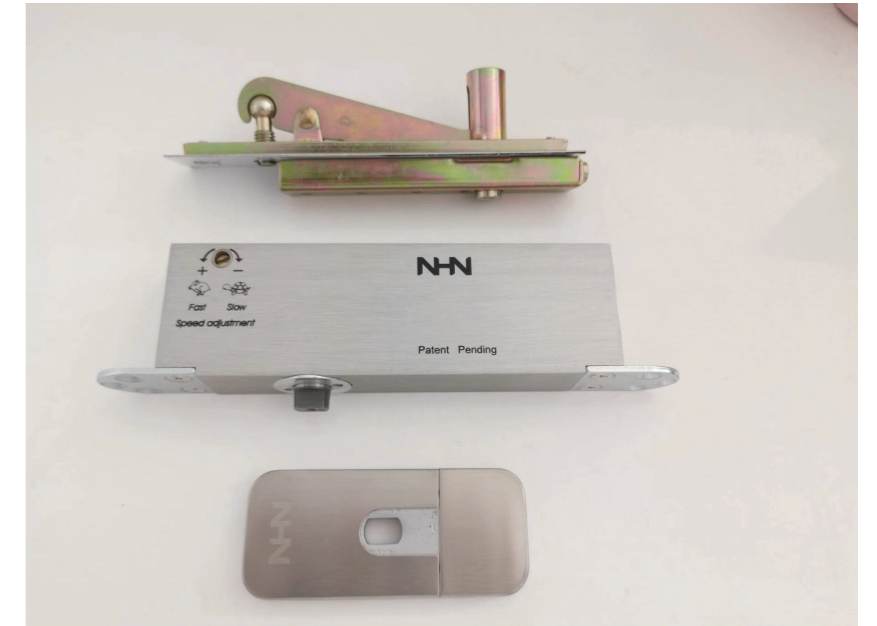
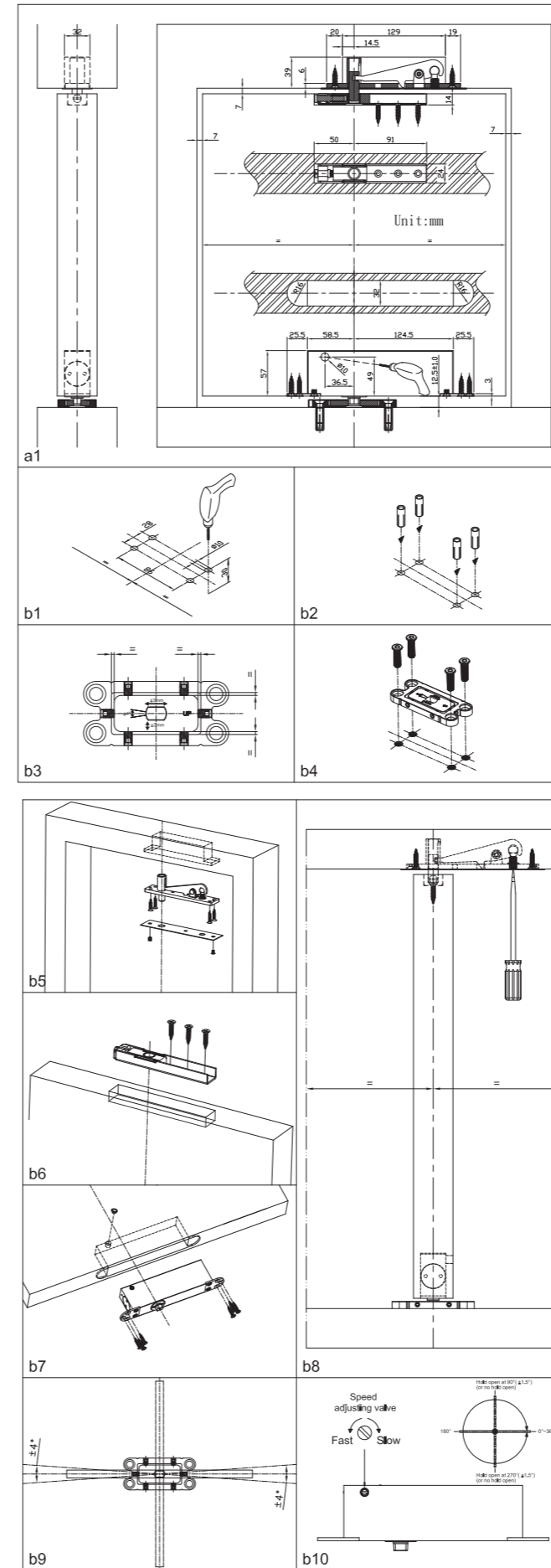
3

High efficiency and low opening resistance guaranteed by using the cam type pinion.



Shown curves refer effect of cam type pinion

INSTALLATION



This illustration shows model PDC103WR (S)